

MODULE 3



Classic mechanical couplers 100 kg



Classic hydraulic couplers 111 kg

Morin Original system coupler M3
for machines from 5.5t to 7.5t
Couplers available on pages 18 to 30

Morin Original system tool summary - Module 3

Backhoes

Range 31

Range 32

Banana buckets

Fixed ditch cleaning buckets

Tilt ditch cleaning buckets

Standard tools

Special tools

Bucket sets

104

104

108

111

113

114

115

117

120

Machines assigned to this module

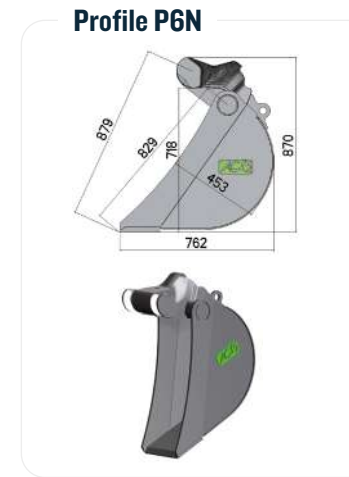
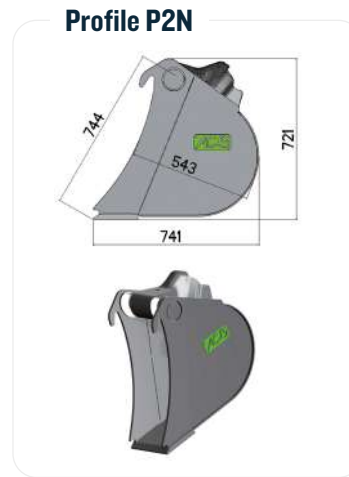
BRAND	MACHINES	BUCKET RANGE	TINE CLASS
ACB+	REVERSIBLE KIT M3	-	-
AMMANN	AMX85 AMX85ZT AMX95DDP AMX100	31	D10
BOBCAT	E80 E85 E88	32	D10
CASE	580ST 590ST 695ST CX85D CX90E	31	D10
	580SV 590SV 695SV CX75 CX75SR CX80C CX85D CX90D WX95	32	D10
CATERPILLAR	3075NG 308NG 390CR	32	D8
	428F 432F 434F 444F	32	D15
COLTRAX	CX85 CX95ST	32	D10
DEVELON	DX85R-7	32	D10
EUROCOMACH	85SB 90ZT 95UR 100TR	32	D10
	3500 5000 R553	31	D8
EUROMACH	R555H R555H/BIGFOOT/FORESTER	32	D10
HIDROMEK	HMK102B HMK102S	32	D15
HITACHI	ZX65USB-6	31	D8
	EX60-3 EX75UR-3 ZX85USB-5 ZX95W-7	32	D10
HYUNDAI	HX85-A R80CR-9	32	D10
JCB	3CX 4CX 65R-1 67C-1 85Z-2 86C-2 90Z-2 HYDRADIG110W	31	D8
	JS70 JZ70	32	D10
KATO IMER IHI	HD85V5 HD307	32	D10
KOBELCO	SK75SR-7 SK85MSR-7	32	D10

Hydraulic kit for powering and controlling hydraulic coupler 5105978. **More information on page 43.**

BRAND	MACHINES	BUCKET RANGE	TINE CLASS
KOMATSU	WB93R-5(backhoe) WB93S-5(backhoe) WB97R-5(backhoe) WB97S-5(backhoe)	31	D10
KOMATSU	PC75R-2 PW75 PC78MR-6 PC80MR-5	32	D10
KUBOTA	KX080-4 KX080-5 KX251	32	D15
LIUGONG	CLG909ECR	31	D15
MECALAC	8MCR	MECALAC	D10
MENZI-MUCK	M220	32	D15
NEW-HOLLAND	E70B-SR E80B-SR	32	D10
	B100D B110D B115D	32	D15
SANY	SY75C SY80C-9 SY80U	31	D10
SCHAEFF	TW75 TW95	32	D10
SUNWARD	SWE80	31	D8
TAKEUCHI	TB280FR TB290-2 TB290 one-piece TB295W TB370	32	D10
TEREX	FERMEC 860 TLB890 (backhoe) TC85 TW75 TW95	32	D10
VENIERI	8.23F	31	D10
VOLVO	BL71	31	D8
	EC70	32	D8
	ECR88D	32	D10
WACKER-NEUSON	75Z3 8002 8003 EZ80	32	D8
YANMAR	B75W B95W	32	D10
	B7-6 VI080-2PB SV86-7	32	D15

BACKHOE RANGE 31

Morin Original system coupler M3
for machines from 5.5t to 7.5t
Couplers available on pages 18 to 30



Toothless bucket

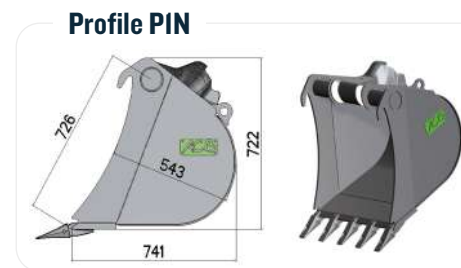
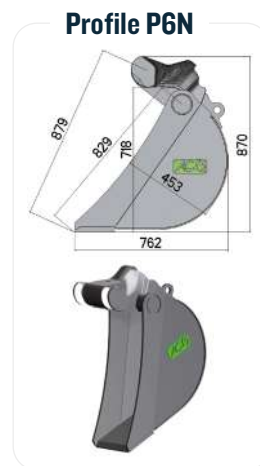
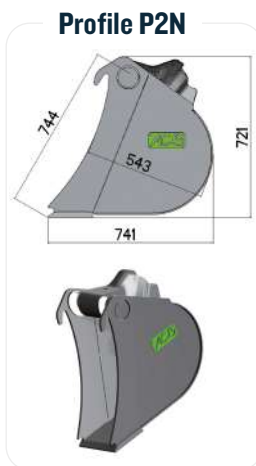
PART NUMBER	WIDTH (mm)	ISO CAPACITY (l)	BUCKET WEIGHT (kg)*	TOTAL WEIGHT (kg)	PRICE EXCL. VAT (€)	ITEM CODE
R31-P2N-300	300	96	106	279	-	5052987
R31-P6N-320	320	90	120	282	-	5053600
R31-P2N-350	350	105	111	300	-	5101046
R31-400	400	115	113	320	-	5056067
R31-450	450	137	121	368	-	5053985
R31-500	500	157	135	418	-	5038697
R31-600	600	198	151	507	-	5053516
R31-700	700	239	167	597	-	5057749
R31-750	750	260	197	665	-	5101047
R31-800	800	280	182	686	-	5056068
R31-900	900	322	205	785	-	5053285
R31-950	950	343	214	831	-	5101048
R31-1000	1000	364	222	877	-	5101049

(*) Weight variation of +/- 2 % depending on equipment | Total weight = (ISO capacity in l x Density 1.8) + Bucket weight in kg

Specially designed for construction and renovation work, BACKHOE BUCKETS will satisfy your needs, whether you are working in a loose environment or a much more challenging one. They can be reinforced to withstand extreme conditions. So please don't hesitate to ask.

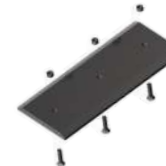
BACKHOE RANGE 31

Morin Original system coupler M3
for machines from 5.5t to 7.5t
Couplers available on pages 18 to 30



REVERSIBLE BOLT-ON COUNTER-BLADE

Thickness 20 mm



CAT J200 1U3202

Thickness 25 mm • D8



ESCO 18TL

Thickness 25 mm • D10



Bucket with RBCB or teeth

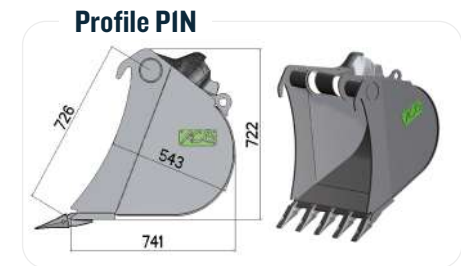
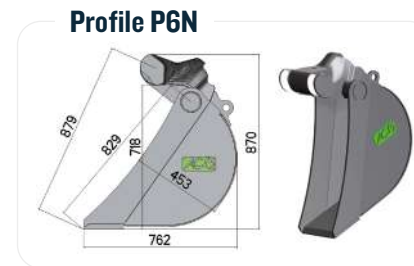
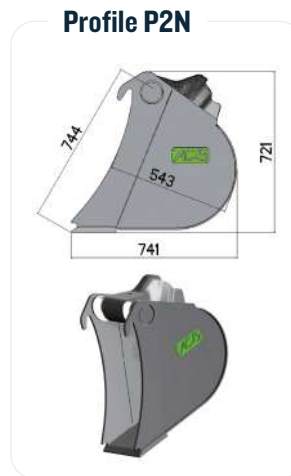
• Represents the range of breakout forces the tooth can withstand. To see the correspondence table, go to page 13.

Thickness = Blade thickness | (*) Weight variation +/- 2% depending on equipment | Total weight = (ISO capacity in l x Density 1.8) + Bucket weight in kg | Average tooth count

PART NUMBER	WIDTH (mm)	ISO CAPACITY (l)	BUCKET WEIGHT (kg)*	TOTAL WEIGHT (kg)	PRICE EXCL. VAT (€)	NUMBER OF TEETH	ITEM CODE	NUMBER OF TEETH	ITEM CODE	NUMBER OF TEETH	ITEM CODE
R31-P2N-300	300	96	114	287	-	RBCB	5072542	3	5052953	3	5052217
R31-P6N-320	320	90	127	289	-	RBCB	5054283	3	5052454	3	5072544
R31-P2N-350	350	105	118	307	-	RBCB	5100995	3	5057511	3	5067626
R31-400	400	115	113	320	-	RBCB	5073391	3	5055442	3	5053627
R31-450	450	137	129	376	-	RBCB	5052152	3	5052954	3	5054323
R31-500	500	157	146	429	-	RBCB	5052308	4	5053585	4	5066891
R31-600	600	198	161	517	-	RBCB	5065668	4	5052955	5	5054324
R31-700	700	239	181	611	-	RBCB	5065669	5	5101037	5	5072446
R31-750	750	260	187	655	-	RBCB	5100996	5	5067756	5	5101071
R31-800	800	280	196	700	-	RBCB	5063469	5	5071092	5	5101072
R31-900	900	322	222	802	-	RBCB	5100997	6	5052956	6	5053628
R31-950	950	343	230	847	-	RBCB	5100998	6	5065800	6	5056282
R31-1000	1000	364	239	894	-	RBCB	5100999	7	5053586	7	5067562

BACKHOE RANGE 31

Morin Original system coupler M3
for machines from 5.5t to 7.5t
Couplers available on pages 18 to 30



Bucket with teeth

• Represents the range of breakout forces the tooth can withstand. To see the correspondence table, go to page 13.

Thickness = Blade thickness |
(* Weight variation +/- 2% depending on equipment |
Total weight = (ISO capacity in l x Density 1.8) + Bucket weight in kg | Average tooth count

PART NUMBER	WIDTH (mm)	ISO CAPACITY (l)	BUCKET WEIGHT (kg)*	TOTAL WEIGHT (kg)	PRICE EXCL. VAT (€)	NUMBER OF TEETH	ITEM CODE	NUMBER OF TEETH	ITEM CODE	NUMBER OF TEETH	ITEM CODE	NUMBER OF TEETH	ITEM CODE
R31-P2N-300	300	96	114	287	-	3	5052944	3	5057991	3	5053882	3	5100955
R31-P6N-320	320	90	127	289	-	3	5052328	3	5101067	3	5054231	3	5100956
R31-P2N-350	350	105	118	307	-	3	5053696	3	5069879	3	5061108	3	5100957
R31-400	400	115	120	327	-	3	5052256	3	5055702	3	5055104	3	5100958
R31-450	450	137	129	376	-	3	5052149	3	5052669	3	5052319	3	5084804
R31-500	500	157	146	429	-	4	5053505	4	5056046	4	5052318	4	5100960
R31-600	600	198	162	518	-	4	5052257	4	5055703	4	5053892	4	5100961
R31-700	700	239	181	611	-	5	5054666	5	5101068	5	5060600	5	5100962
R31-750	750	260	189	657	-	5	5059861	5	5101069	5	5064661	5	5084805
R31-800	800	280	197	701	-	5	5052453	5	5072981	5	5054232	5	5100963
R31-900	900	322	223	803	-	6	5052258	6	5055704	6	5052354	6	5091216
R31-950	950	343	231	848	-	6	5061091	6	5057293	6	5058837	6	5100964
R31-1000	1000	364	241	896	-	7	5053506	7	5060753	7	5057104	6	5100965

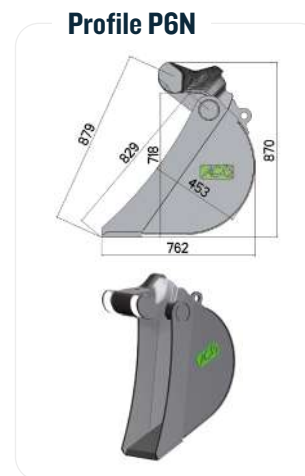
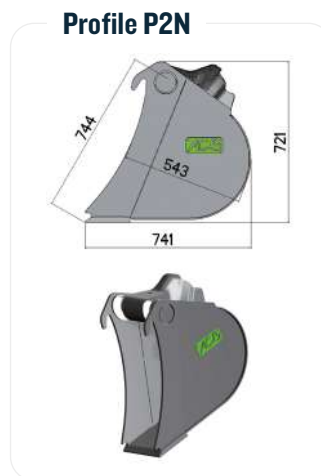
BACKHOE RANGE 31

Morin Original system coupler M3
for machines from 5.5t to 7.5t
Couplers available on pages 18 to 30

Specially designed for construction and renovation work, BACKHOE BUCKETS will satisfy your needs, whether you are working in a loose environment or a much more challenging one. They can be reinforced to withstand extreme conditions. So please don't hesitate to ask.

• Represents the range of breakout forces the tooth can withstand. To see the correspondence table, go to page 13.

Thickness = Blade thickness | (*) Weight variation +/- 2% depending on equipment | Total weight = (ISO capacity in l x Density 1.8) + Bucket weight in kg | Average tooth count

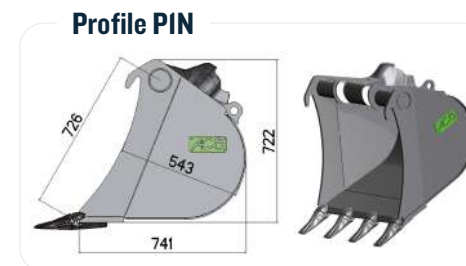
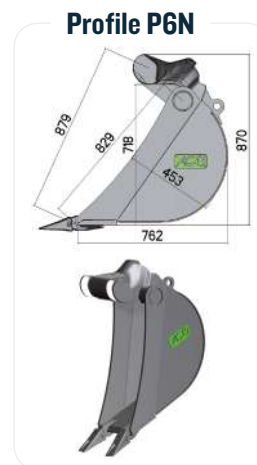
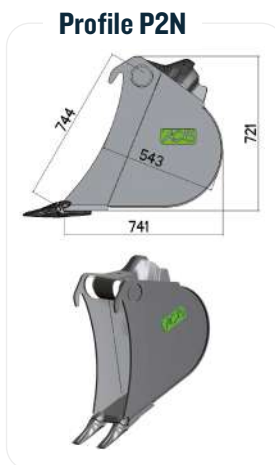


Bucket with teeth

PART NUMBER	WIDTH (mm)	ISO CAPACITY (l)	BUCKET WEIGHT (kg)*	TOTAL WEIGHT (kg)	PRICE EXCL. VAT (€)	NUMBER OF TEETH	ITEM CODE	NUMBER OF TEETH	ITEM CODE
R31-P2N-300	300	96	113	286	-	3	5057081	3	5100914
R31-P6N-320	320	90	126	288	-	3	5059684	3	5064292
R31-P2N-350	350	105	117	306	-	3	5052508	3	5079155
R31-400	400	115	119	326	-	3	5052763	3	5072010
R31-450	450	137	128	375	-	3	5057315	3	5064293
R31-500	500	157	144	427	-	4	5057304	4	5100916
R31-600	600	198	161	517	-	4	5052971	4	5064294
R31-700	700	239	178	608	-	5	5074215	4	5100917
R31-750	750	260	187	655	-	5	5101005	5	5100918
R31-800	800	280	193	697	-	5	5052973	5	5100919
R31-900	900	322	220	800	-	6	5052657	5	5064295
R31-950	950	343	228	845	-	6	5059685	6	5076486
R31-1000	1000	364	238	893	-	7	5058943	7	5081438

BACKHOE RANGE 32

Morin Original system coupler M3
for machines from 5.5t to 7.5t
Couplers available on pages 18 to 30



CAT J225 6Y3222
Thickness 25 mm • D10



COMBI CIT35
Thickness 25 mm • D15



ESCO U20S
Thickness 25 mm • D15



Bucket with teeth

PART NUMBER	WIDTH (mm)	ISO CAPACITY (l)	BUCKET WEIGHT (kg)*	TOTAL WEIGHT (kg)	PRICE EXCL. VAT (€)	NUMBER OF TEETH	ITEM CODE	NUMBER OF TEETH	ITEM CODE	NUMBER OF TEETH	ITEM CODE
R32-P2N-300	300	96	121	294	-	3	5101123	2	CIT35	2	5065012
R32-P6N-320	320	90	128	290	-	2	5088864	2	CIT35	3	5062141
R32-P2N-350	350	105	125	314	-	3	5059059	3	5057359	3	5061927
R32-400	400	115	127	334	-	3	5057100	3	5066688	3	5062121
R32-450	450	137	136	383	-	3	5056742	3	5060256	3	5061517
R32-500	500	157	150	433	-	3	5083139	3	5053491	3	5062142
R32-550	550	177	163	482	-	4	5101124	4	CIT35	3	5064770
R32-600	600	198	169	525	-	4	5059060	4	5058427	4	5062122
R32-650	650	219	186	580	-	4	5101125	4	CIT35	4	5067535
R32-700	700	239	191	621	-	4	5101127	4	5064805	4	5062591
R32-750	750	260	199	667	-	5	5101128	5	CIT35	4	5061928
R32-800	800	280	206	710	-	5	5074156	5	5060634	4	5056903
R32-850	850	301	214	756	-	5	5101129	5	CIT35	5	5064211
R32-900	900	322	234	814	-	6	5056743	6	5053584	5	5061518
R32-950	950	343	242	859	-	6	5079006	6	5060598	5	5065664
R32-1000	1000	364	250	905	-	6	5058298	6	5064357	5	5062592

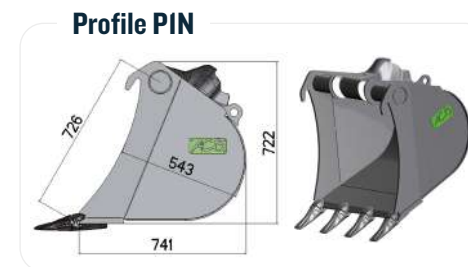
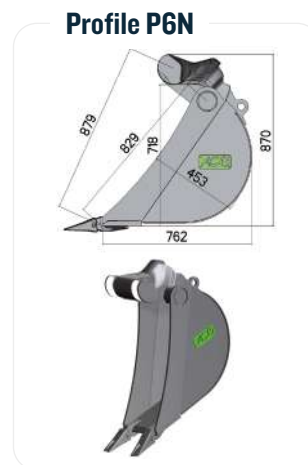
Specially designed for construction and renovation work, BACKHOE BUCKETS will satisfy your needs, whether you are working in a loose environment or a much more challenging one. They can be reinforced to withstand extreme conditions. So please don't hesitate to ask.

• Represents the range of breakout forces the tooth can withstand. To see the correspondence table, go to page 13.

Thickness = Blade thickness | (*) Weight variation +/- 2% depending on equipment | Total weight = (ISO capacity in l x Density 1.8) + Bucket weight in kg | Average number of teeth | Stock item

BACKHOE RANGE 32

Morin Original system coupler M3
for machines from 5.5t to 7.5t
Couplers available on pages 18 to 30



Bucket with teeth

• Represents the range of breakout forces the tooth can withstand.
To see the correspondence table, go to page 13.

Thickness = Blade thickness | (*) Weight variation +/- 2% depending
on equipment | Total weight = (ISO capacity in l x Density 1.8) +
Bucket weight in kg | Average tooth count

PART NUMBER	WIDTH (mm)	ISO CAPACITY (l)	BUCKET WEIGHT (kg)*	TOTAL WEIGHT (kg)	PRICE EXCL. VAT (€)	NUMBER OF TEETH	ITEM CODE	NUMBER OF TEETH	ITEM CODE
R32-P2N-300	300	96	120	293	-	2	5101077	3	5052762
R32-P6N-320	320	90	132	294	-	2	5052150	3	5055192
R32-P2N-350	350	105	123	312	-	2	5058356	3	5052853
R32-400	400	115	125	332	-	3	5054038	3	5052666
R32-450	450	137	134	381	-	3	5052151	3	5053349
R32-500	500	157	148	431	-	3	5072289	3	5055193
R32-550	550	177	161	480	-	3	5101078	4	5064454
R32-600	600	198	168	524	-	3	5101079	4	5053846
R32-650	650	219	177	571	-	4	5101081	4	5067138
R32-700	700	239	185	615	-	4	5083311	4	5052667
R32-750	750	260	196	664	-	4	5101083	5	5083614
R32-800	800	280	203	707	-	4	5069757	5	5052054
R32-850	850	301	212	754	-	5	5101086	5	5067012
R32-900	900	322	228	808	-	5	5052153	5	5053350
R32-950	950	343	235	852	-	5	5101087	5	5052519
R32-1000	1000	364	246	901	-	5	5053697	6	5052665

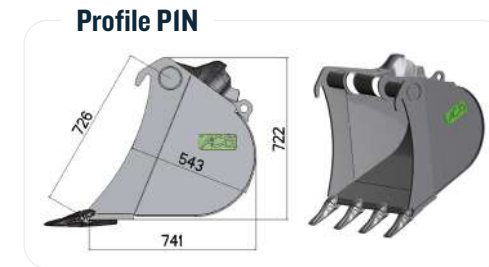
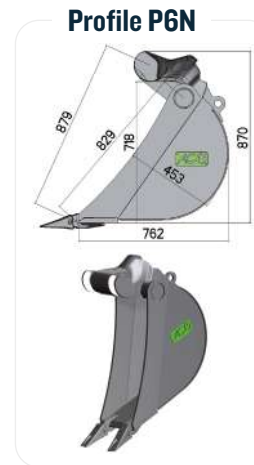
BACKHOE RANGE 32

Morin Original system coupler M3
for machines from 5.5t to 7.5t
Couplers available on pages 18 to 30

Specially designed for construction and renovation work, BACKHOE BUCKETS will satisfy your needs, whether you are working in a loose environment or a much more challenging one. They can be reinforced to withstand extreme conditions. So please don't hesitate to ask.

• Represents the range of breakout forces the tooth can withstand. To see the correspondence table, go to page 13.

Thickness = Blade thickness | (*) Weight variation +/- 2% depending on equipment | Total weight = (ISO capacity in l x Density 1.8) + Bucket weight in kg | Average tooth count



FUTURA FT190S
Thickness 25 mm • D15



KOMATSU P005SC
Thickness 25 mm • D15



MTG MG10L
Thickness 25 mm • D10



Bucket with teeth

PART NUMBER	WIDTH (mm)	ISO CAPACITY (l)	BUCKET WEIGHT (kg)*	TOTAL WEIGHT (kg)	PRICE EXCL. VAT (€)	NUMBER OF TEETH	ITEM CODE	NUMBER OF TEETH	ITEM CODE	NUMBER OF TEETH	ITEM CODE
R32-P2N-300	300	96	117	290	-	2	5101098	2	P005SC	2	5062350
R32-P6N-320	320	90	127	289	-	2	5091222	2	P005SC	3	5052850
R32-P2N-350	350	105	121	310	-	3	5082943	3	P005SC	3	5052020
R32-400	400	115	124	331	-	2	5084852	3	P005SC	3	5052146
R32-450	450	137	132	379	-	3	5078573	3	P005SC	3	5052358
R32-500	500	157	146	429	-	3	5082200	3	P005SC	3	5052021
R32-550	550	177	159	478	-	3	5101099	4	P005SC	4	5086440
R32-600	600	198	166	522	-	3	5090591	4	P005SC	4	5052147
R32-650	650	219	174	568	-	4	5101100	4	P005SC	4	5067096
R32-700	700	239	186	616	-	4	5101101	4	P005SC	4	5057303
R32-750	750	260	194	662	-	4	5101102	4	P005SC	4	5101105
R32-800	800	280	201	705	-	4	5082944	5	P005SC	5	5052472
R32-850	850	301	210	752	-	4	5084815	5	P005SC	5	5101106
R32-900	900	322	224	804	-	4	5083493	5	P005SC	5	5052022
R32-950	950	343	236	853	-	5	5101103	5	P005SC	5	5062351
R32-1000	1000	364	243	898	-	5	5078574	5	P005SC	5	5054444

BANANA BUCKETS

Morin Original system coupler M3 for machines from 5.5t to 7.5t
Couplers available on pages 18 to 30

Thanks to its narrow width, the BANANA BUCKET is ideal for work requiring precision, such as small trenches or cable installation.

Profile 2



TOOTHLESS

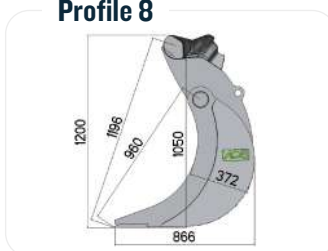
Thickness 20 mm



Profile 2

PART NUMBER	WIDTH (mm)	ISO CAPACITY (l)	BUCKET WEIGHT (kg)*	TOTAL WEIGHT (kg)	PRICE EXCL. VAT (€)	ITEM CODE
3GL-P2-200	200	59	140	246	-	5029560
3GL-P2-250	250	73	148	279	-	5005154

Profile 8



Profile 8

PART NUMBER	WIDTH (mm)	ISO CAPACITY (l)	BUCKET WEIGHT (kg)*	TOTAL WEIGHT (kg)	PRICE EXCL. VAT (€)	ITEM CODE	PRICE EXCL. VAT (€)	ITEM CODE	PRICE EXCL. VAT (€)	NUMBER OF TEETH	ITEM CODE	PRICE EXCL. VAT (€)	NUMBER OF TEETH	ITEM CODE
3GL-P8-200	200	50	138	228	-	5040222	-	5125500	-	2	FKITLR	-	2	5130128
3GL-P8-250	250	70	147	273	-	5032410	-	5123601	-	2	5057905	-	2	5068922
3GL-P8-300	300	90	156	318	-	5055349	-	5089218	-	3	FKITLR	-	3	5141274

TOOTHLESS

Thickness 20 mm



REVERSIBLE BOLT-ON COUNTER-BLADE

Thickness 20 mm



FEURST FKITLR

Thickness 20 mm • D8



FEURST FK2TLR

Thickness 20 mm • D15



• Represents the range of breakout forces the tooth can withstand. To see the correspondence table, go to page 13.

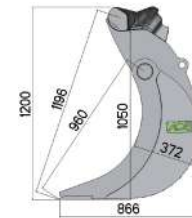
Thickness = Blade thickness | (*) Weight variation +/- 2% depending on equipment | Total weight = (ISO capacity in l x Density 1.8) + Bucket weight in kg | Average tooth count

BANANA BUCKETS

Morin Original system coupler M3
for machines from 5.5t to 7.5t
Couplers available on pages 18 to 30

Thanks to its narrow width, the BANANA BUCKET is ideal for work requiring precision, such as small trenches or cable installation.

Profile 8



Profile 8

PART NUMBER	WIDTH (mm)	ISO CAPACITY (l)	BUCKET WEIGHT (kg)*	TOTAL WEIGHT (kg)	ESCO V17TYL			ESCO U20S			MTG MG10L		
					PRICE EXCL. VAT (€)	NUMBER OF TEETH	ITEM CODE	PRICE EXCL. VAT (€)	NUMBER OF TEETH	ITEM CODE	PRICE EXCL. VAT (€)	NUMBER OF TEETH	ITEM CODE
3GL-P8-200	200	50	138	228	-	2	5118061	-	2	U20S	-	2	MG10L
3GL-P8-250	250	70	157	283	-	3	5039571	-	2	5074524	-	2	5133150
3GL-P8-300	300	90	166	328	-	3	V17TYL	-	2	5069429	-	3	5038336

• Represents the range of breakout forces the tooth can withstand. To see the correspondence table, go to page 13.

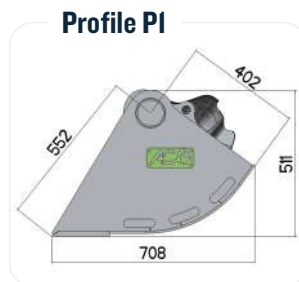
Thickness = Blade thickness | (*) Weight variation +/- 2% depending on equipment | Total weight = (ISO capacity in l x Density 1.8) + Bucket weight in kg | Average tooth count

FIXED DITCH CLEANING BUCKETS

Morin Original system coupler M3
for machines from 5.5t to 7.5t
Couplers available on pages 18 to 30

The DITCH CLEANING BUCKET can be used for finishing work such as ditch cleaning, embanking, levelling and much more.

Thickness = Blade thickness | (*) Weight variation +/- 2% depending on equipment | Total weight = (ISO capacity in l x Density 1.8) + Bucket weight in kg | Stock item ■



Profile P1

PART NUMBER	WIDTH (mm)	ISO CAPACITY (l)	BUCKET WEIGHT (kg)*	TOTAL WEIGHT (kg)	PRICE EXCL. VAT (€)	ITEM CODE	BUCKET WEIGHT (kg)*	TOTAL WEIGHT (kg)	PRICE EXCL. VAT (€)	ITEM CODE
CM3-1500-P1	1500	335	228	831	-	5045295	272	875	-	5045786
CM3-1600-P1	1600	358	239	883	-	5042418	285	929	-	5053970
CM3-1700-P1	1700	382	249	937	-	5046883	298	986	-	5047984
CM3-1800-P1	1800	405	259	988	-	5046892	311	1040	-	5048452

SMOOTH BLADE
Thickness 20 mm



REVERSIBLE BOLT-ON COUNTER-BLADE
Thickness 20 mm



SMOOTH BLADE
Thickness 20 mm



REVERSIBLE BOLT-ON COUNTER-BLADE
Thickness 20 mm



Profile CT3N

PART NUMBER	WIDTH (mm)	ISO CAPACITY (l)	BUCKET WEIGHT (kg)*	TOTAL WEIGHT (kg)	PRICE EXCL. VAT (€)	ITEM CODE	BUCKET WEIGHT (kg)*	TOTAL WEIGHT (kg)	PRICE EXCL. VAT (€)	ITEM CODE
CM3-1500-CT3N	1500	404	251	978	-	5048039	294	1021	-	5050563
CM3-1600-CT3N	1600	432	263	1041	-	5051695	313	1091	-	5105121
CM3-1700-CT3N	1700	461	264	1094	-	5042451	324	1154	-	5050187
CM3-1800-CT3N	1800	490	286	1168	-	5050849	338	1220	-	5052326

TILT DITCH CLEANING BUCKETS

Morin Original system coupler M3
for machines from 5.5t to 7.5t
Couplers available on pages 18 to 20

The TILT DITCH CLEANING BUCKET can be used for finishing work such as ditch cleaning, embanking, levelling and much more. The tilting version is stable on the ground and remains upright to facilitate the next attachment.

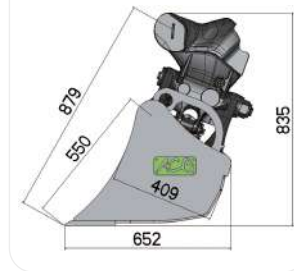
Thickness = Blade thickness | (*) Weight variation +/- 2% depending on equipment | Total weight = (ISO capacity in l x Density 1.8) + Bucket weight in kg | Stock item ■

Retaining kit

Optional retaining kits are available to compensate for hydraulic leaks and keep the tilt ditch cleaning bucket in the desired position.

MODULE	ITEM CODE	PRICE EXCL. VAT (€)
M3 1V	5078655	-
M3 2V	5078654	-

Profile 3IPI



Profile 3IPI 2 x 45° - 1 Cylinder

PART NUMBER	WIDTH (mm)	ISO CAPACITY (l)	BUCKET WEIGHT (kg)*	TOTAL WEIGHT (kg)	PRICE EXCL. VAT (€)	ITEM CODE	BUCKET WEIGHT (kg)*	TOTAL WEIGHT (kg)	PRICE EXCL. VAT (€)	ITEM CODE
3IPI-1500-1V	1500	325	302	887	-	5074392	346	931	-	5074567
3IPI-1600-1V	1600	348	312	938	-	5074491	359	985	-	5074474

SMOOTH BLADE

Thickness 20 mm

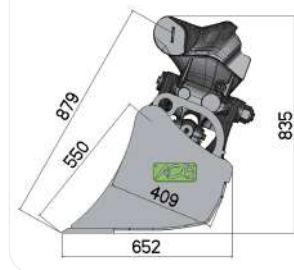


REVERSIBLE BOLT-ON COUNTER-BLADE

Thickness 20 mm



Profile 3IPI



Profile 3IPI 2 x 45° - 2 Cylinders

PART NUMBER	WIDTH (mm)	ISO CAPACITY (l)	BUCKET WEIGHT (kg)*	TOTAL WEIGHT (kg)	PRICE EXCL. VAT (€)	ITEM CODE	BUCKET WEIGHT (kg)*	TOTAL WEIGHT (kg)	PRICE EXCL. VAT (€)	ITEM CODE
3IPI-1500-2V	1500	325	315	900	-	5070029	360	945	-	5074589
3IPI-1600-2V	1600	348	326	952	-	5074492	373	999	-	5074650

SMOOTH BLADE

Thickness 20 mm



REVERSIBLE BOLT-ON COUNTER-BLADE

Thickness 20 mm



STANDARD TOOLS

Morin Original system coupler M3 for machines from 5.5t to 7.5t
Couplers available on pages 18 to 30

As a bucket isn't always enough, a range of TOOLS is available to meet all your needs. For more information, please refer to the attached product specification sheets or contact us.

(*) Weight variation of +/- 2% depending on equipment
Stock item ■

Ripper tooth

Ripper tooth for work on rocky terrain
R = 923 80 mm 1 tooth ESCO U25P



PART NUMBER	WEIGHT (kg)*	PRICE EXCL. VAT (€)
5063294	113	-

Trapezoidal bucket with 65° angles

Bucket for creating profiled ditches

Dimensions:

- Large base (GB) = 1000 mm
- Beam height (HSP) = 600 mm
- Small base (PB) = 300 mm
- Teeth can be welded on request



PART NUMBER	WEIGHT (kg)*	PRICE EXCL. VAT (€)
TTP001-M3	158	-

Rotating trapezoidal bucket with 65° angles

Bucket for creating profiled ditches

Dimensions:

- Large base (GB) = 1,000 mm
- Beam height (HSP) = 600 mm
- Small base (PB) = 300 mm
- Teeth can be welded on request



PART NUMBER	WEIGHT (kg)*	PRICE EXCL. VAT (€)
TTP001-O-M3	248	-

Trapezoidal bucket with 58° angles

Bucket for creating profiled ditches

Dimensions:

- Large base (GB) = 1,180 mm
- Beam height (HSP) = 465 mm
- Small base (PB) = 400 mm
- Teeth can be welded on request



PART NUMBER	WEIGHT (kg)*	PRICE EXCL. VAT (€)
TTP002-M3	148	-

Universal joint

Tool for articulating, along two axes, a gripper, a grapple, an auger, etc.



PART NUMBER	WEIGHT (kg)*	PRICE EXCL. VAT (€)
UNIVERSAL JOINT-M3	Depending on equipment	-

Suspension link

Tool for single-axis articulation of products already fitted with a suspension system

Diameter 40 mm x Width 90 mm



PART NUMBER	WEIGHT (kg)*	PRICE EXCL. VAT (€)
5047260	35	-

STANDARD TOOLS

Morin Original system coupler M3
for machines from 5.5t to 7.5t
Couplers available on pages 18 to 30

As a bucket isn't always enough, a range of TOOLS is available to meet all your needs. For more information, please refer to the attached product specification sheets or contact us.

(*) Weight variation of +/- 2% depending on equipment
Stock item ■

Pin-on adapter

Tool for pinning your hydraulic equipment using two pins



PART NUMBER	WEIGHT (kg)*	PRICE EXCL. VAT (€)
BERCEAU-M3	Depending on size	-

4 x l bucket

Multi-purpose tool enabling various operations to be carried out with a single tool, such as: loading, snow removal, levelling, etc.

Dimensions:

- Width 1580 mm,
- 296 l capacity

Teeth can be welded on request



PART NUMBER	WEIGHT (kg)*	PRICE EXCL. VAT (€)
4x1-M3-1580	338	-

Dimensions:

- Width 1870 mm,
- 480 l capacity

Teeth can be welded on request



PART NUMBER	WEIGHT (kg)*	PRICE EXCL. VAT (€)
4x1-M3-1870	463	-

Bolt-on adapter

Tool for bolting on hydraulic equipment



PART NUMBER	WEIGHT (kg)*	PRICE EXCL. VAT (€)
BOLT-ON ADAPTER-M3	Depending on equipment	-

ITEM CODE	BRANDS
5051211	EPIROC: SBU340 SB302 MG500 MG400 DC400 JCB: HM386Q KUBOTA: KM305

Pallet forks

There are two versions of our pallet forks:

- A simple version, for attachment using a quick coupler only.
- A version with an arrangement on the front blade, allowing the pallet forks to be attached to the blade, for use on sites only.

To order your pallet forks, please specify which version you require. For the second version, the decision to weld or place depends on the blade profile of your machine. Forks 1,500 kg.



PART NUMBER	WEIGHT (kg)*	PRICE EXCL. VAT (€)
LP-M3-SIMPLE	280	-
LP-M3-SUR LAME	330	-

SPECIAL TOOLS

Morin Original system coupler M3
for machines from 5.5t to 7.5t
Couplers available on pages 18 to 30

Non-exhaustive list. Please contact us for more information.

Some situations require special dimensions or configurations. That's why ACB+ is at your disposal for any specific requests. Our SPECIAL TOOLS are made to measure. So you have a choice of teeth, pitch, width, etc. Here are just a few examples.

(*) Weight variation of +/- 2% depending on equipment

Grid backhoe

Tool for sieving rubble and pebbles.
Grid backhoe 1,000 mm
7 teeth ESCO V17TYL - Pitch 100 x 180 mm



PART NUMBER	WEIGHT (kg)*	PRICE EXCL. VAT (€)
5093688	299	-

Universal grading bucket

Finishing tool for rotating couplers and tiltrotators
Universal grading bucket 1400 mm
RBCB - 0.36m³ - Profile 3UP1



PART NUMBER	WEIGHT (kg)*	PRICE EXCL. VAT (€)
5157444	290	-

Rock handling bucket

Bucket with advanced blade, flared sides and reinforcements for working on hard, rocky ground and in the mountains
Rock handling bucket 1,000 mm
0.338m³ - 5 Teeth ESCO U20S



PART NUMBER	WEIGHT (kg)*	PRICE EXCL. VAT (€)
5076087	273	-

Claw backhoe

Tool for gripping and manipulating objects -
Claw backhoe 900 mm
0.225m³ - 5 Teeth
VOLVO 8GPC



PART NUMBER	WEIGHT (kg)*	PRICE EXCL. VAT (€)
5079157	371	-

SPECIAL TOOLS

Morin Original system coupler M3 for machines from 5.5t to 7.5t
Couplers available on pages 18 to 30

Non-exhaustive list. Please contact us for more information.

Some situations require special dimensions or configurations. That's why ACB+ is at your disposal for any specific requests. Our SPECIAL TOOLS are made to measure. So you have a choice of teeth, pitch, width, etc. Here are just a few examples.

(*) Weight variation of +/- 2% depending on equipment

Grid ditch cleaning bucket

Tool for small jobs sorting materials on the ground over a broad strip.

Grid ditch cleaning bucket 1,500 mm
Pitch 80 x 70 mm - Profile without RBCB with sidewall



PART NUMBER	WEIGHT (kg)*	PRICE EXCL. VAT (€)
5075734	308	-

Vine stock tear out rake

Tool for removing the stumps of vines.
Vine stock tear out rake 1,670 mm
Pitch 140 mm - 9 teeth VOLVO MG8V



PART NUMBER	WEIGHT (kg)*	PRICE EXCL. VAT (€)
5039995	316	-

Grapple thumb

Hydraulic tool mounted directly under the dipperstick of an excavator to help pick up and place objects.
Thumb Module 3



PART NUMBER	WEIGHT (kg)*	PRICE EXCL. VAT (€)
THUMB-M3	Depending on equipment	-

Reprofiling trapezoidal bucket

Bucket for reprofiling ditches
Dimensions:

- Large base (GB) = 1,248 mm
- Beam height (HSP) = 860 mm
- Small base (PB) = 300 mm
- Teeth can be welded on request



PART NUMBER	WEIGHT (kg)*	PRICE EXCL. VAT (€)
TR-M3	220	-

SPECIAL TOOLS

Morin Original system coupler M3 for machines from 5.5t to 7.5t
Couplers available on pages 18 to 30

Rake

A tool for small-scale landscape finishing work, such as grading and sorting materials on the ground, etc. 1200 mm rake - Pitch 120 mm



PART NUMBER	WEIGHT (kg)*	PRICE EXCL. VAT (€)
5075535	143	-

(*) Weight variation of +/- 2% depending on equipment

Rear rake

Tool for small-scale forestry work to rake, swath and load stumps and branches

Rear Rake 1,080 mm -
6 Claws - Pitch 135 mm



PART NUMBER	WEIGHT (kg)*	PRICE EXCL. VAT (€)
5092856	332	-

Front and rear rake

A tool for small-scale forestry work to create swaths by pulling and pushing. Front and Rear Rake 1,200 mm
6 claws - Pitch 210 mm



PART NUMBER	WEIGHT (kg)*	PRICE EXCL. VAT (€)
5082881	332	-

Stump grinder tooth

Tool for levelling (cutting) stumps and completing stump removal
Stump grinder -
R = 877 mm - 50 mm



PART NUMBER	WEIGHT (kg)*	PRICE EXCL. VAT (€)
5070104	156	-

BUCKET SETS - EXPRESS OPTION

DELIVERED WITHIN 5 WORKING DAYS

Morin Original system coupler M3 | for machines from 5.5t to 7.5t | Couplers available on pages 18 to 30

To save time and increase convenience, ACB+ stocks palletised bucket sets. These consist of two earthmoving buckets and one ditch cleaning bucket selected from the most popular sizes.

(*) Weight variation of +/- 2% depending on equipment

(**) Depending on availability | Stock item ■

Bucket set range 32



Bucket set range 32



ITEM CODE	CONTAINER	DESIGNATION	TEETH	WEIGHT (kg)*	PRICE EXCL. VAT (€)	BUCKET SET + COUPLER M3S**
5073722	5062121 5056903 5046892	1 backhoe Range 32 - Width 400 mm 1 backhoe Range 32 - Width 800 mm 1 ditch cleaning bucket Profile P1 - Width 1,800 mm	ESCO U20S	612	-	-