

MODULE 5



Classic hydraulic couplers 230 kg

Morin Original system coupler M5
for machines from 10t to 15t
Couplers available on pages 18 to 30

Morin Original system tool summary - Module 5

HD backhoes **136**

Range 52 TB1	136
Range 52 TB2	137
Range 53 TB1	139
Range 53 TB2	141

Banana buckets **143**

Fixed ditch cleaning buckets **144**

Tilt ditch cleaning buckets **145**

Standard tools **146**

Special tools **147**

Trapezoidal buckets **149**

Hydraulic kit for powering and controlling hydraulic coupler 5105978. More information on page 43.

In-cab display kit option page 20.

Machines assigned to this module

BRAND	MACHINES	BUCKET RANGE	TINE CLASS
CASE	CX130D CX145C-SR CX145D-SR	53	D20
CATERPILLAR	311F	52	D15
	313F M313D M315D2	52	D20
	313 313GC 315 315GC M314 M315 M315D M315F M316 M316F M317	53	D20
DEVELON	DX140LC-7K DX140LC-7 DX140-LCR-7 DX140W-7 DX190LC-7HT DX160W-7 DX165WR-7	52	D20
EUROMACH	R125 R125 BIGFOOT/FORESTER	53	D30
HIDROMEK	HMK140LC HMK140W HMK145LC	52	D20
HITACHI	ZX130-5G ZX130-7 ZX135US-7 ZX155W-7	53	D20
HYUNDAI	HW140A HX140AL HX145ALCR HX130ALCR	52	D20
JCB	JS115	52	D20
	JS130 JS145 JZ140 JZ141	53	D20
KAISER	S10 S12	52	D20
KATO IMER IHI	HD512-7 HD514MR-7	53	D20
KOBELCO ⁽⁹⁾	ED160-7	52	D20
	SK140SRLC-7	53	D20
KOMATSU	PC138US-11 PW148-11 PW158-11	53	D20
LIEBHERR	A916Compact R313	52	D15
	A914Li/Compact R914Compact A/R900C A916Li	53	D15
LIUGONG	915E	52	D15
NEW-HOLLAND	E135B E150B-BLADERUNNER	53	D15
SANY	SY135c SY155U SY155W	52	D20

BRAND	MACHINES	BUCKET RANGE	TINE CLASS
SUNWARD	SWE155F	53	D20
TAKEUCHI	TB2150R	53	D20
VOLVO	EWRI30E	52	D20
	EC140E ECR145E EWR150E	53	D20
WACKER-NEUSON	ET145	53	D20

HD BACKHOES RANGE 52 TBI

Morin Original system coupler M5
for machines from 10t to 15t
Couplers available on pages 18 to 30

Specially designed for construction and renovation work, HD BUCKETS offer the best performance for your application. The standard HD version can be reinforced with shields, side cutters, corner protectors, skids, plates, etc. Please don't hesitate to contact us for more information.

Bucket with teeth

PART NUMBER	WIDTH (mm)	ISO CAPACITY (l)	BUCKET WEIGHT (kg)*	TOTAL WEIGHT (kg)	PRICE EXCL. VAT (€)	NUMBER OF TEETH	ITEM CODE	NUMBER OF TEETH	ITEM CODE
R-5CP2E-400	400	245	315	756	-	3	U20S	3	FK3TLR
R-5CP2E-450	450	255	320	779	-	3	5117593	3	5090922
R-5CP1E-520	520	297	345	880	-	3	5084111	3	5104165
R-5CP1E-600	600	377	399	1078	-	4	5100699	4	5127126
R52-P1E-700	700	369	376	1040	-	4	U20S	4	FK3TLR
R52-P1E-800	800	441	404	1198	-	4	5100702	4	5127128
R52-P1E-900	900	514	435	1360	-	5	5084330	5	5104173
R52-P1E-1000	1000	588	481	1539	-	5	5114648	5	5087303
R52-P1E-1100	1100	662	519	1711	-	6	5117907	6	5083628
R52-P1E-1200	1200	736	519	1844	-	6	5084113	6	5154803

• Represents the range of breakout forces the tooth can withstand. To see the correspondence table, go to page 13.

Thickness = Blade thickness | (*) Weight variation +/- 2% depending on equipment | Total weight = (ISO capacity in l x Density 1.8) + Bucket weight in kg | Average tooth count

ESCO U20S

Thickness 25 mm • D15

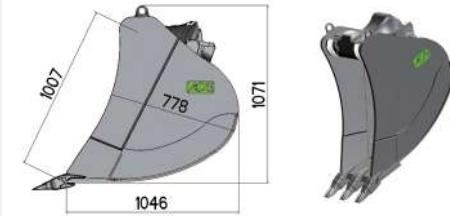


FEURST FK3TLR

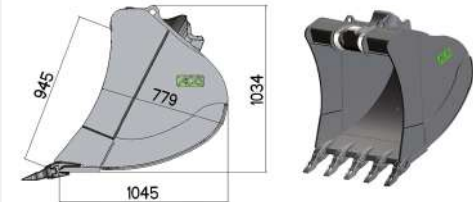
Thickness 25 mm • D20



Profile 5CP2E Tapered



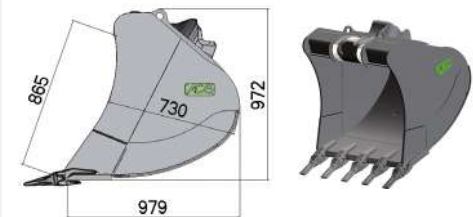
Profile 5CP1E



Profile 5CP2E Tapered

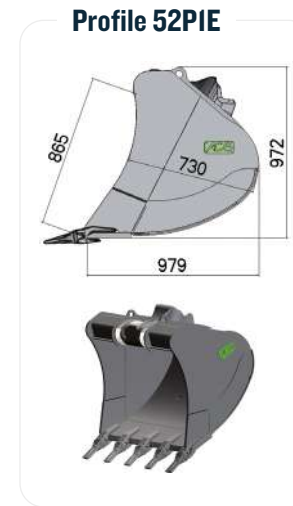
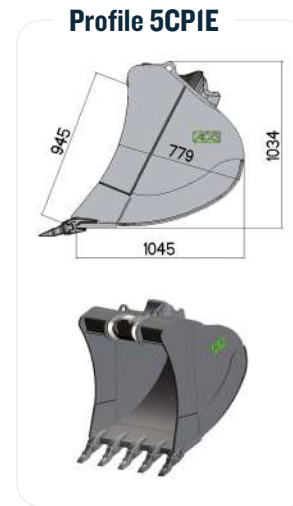
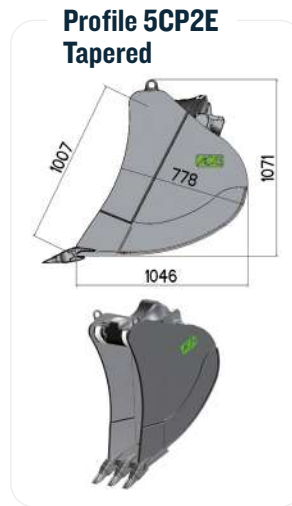
Profile 5CP1E

Profile 52PIE



HD BACKHOES RANGE 52 TB2

Morin Original system coupler M5
for machines from 10t to 15t
Couplers available on pages 18 to 30



• Represents the range of breakout forces the tooth can withstand. To see the correspondence table, go to page 13.

Thickness = Blade thickness | (*) Weight variation +/- 2% depending on equipment | Total weight = (ISO capacity in l x Density 1.8) + Bucket weight in kg | Average tooth count

Bucket with teeth



PART NUMBER	WIDTH (mm)	ISO CAPACITY (l)	BUCKET WEIGHT (kg)*	TOTAL WEIGHT (kg)	PRICE EXCL. VAT (€)	NUMBER OF TEETH	ITEM CODE	NUMBER OF TEETH	ITEM CODE	NUMBER OF TEETH	ITEM CODE
R-5CP2E-400	400	245	322	763	-	3	1U3252	2	5085555	2	FT230S
R-5CP2E-450	450	255	327	786	-	3	1U3252	3	5085272	3	FT230S
R-5CP1E-520	520	297	362	897	-	3	5081532	3	5073798	3	5085407
R-5CP1E-600	600	377	412	1091	-	3	5110859	3	5073855	3	5083070
R52-PIE-700	700	369	389	1053	-	4	1U3252	3	5079348	3	FT230S
R52-PIE-800	800	441	426	1220	-	4	5109529	4	5079344	4	FT230S
R52-PIE-900	900	514	453	1378	-	4	1U3252	4	5079339	4	FT230S
R52-PIE-1000	1000	588	481	1539	-	5	1U3252	4	5079305	4	FT230S
R52-PIE-1100	1100	662	519	1711	-	5	5081533	5	5072932	5	5088048
R52-PIE-1200	1200	736	546	1871	-	5	5087901	5	5079366	5	FT230S

Profile 5CP2E Tapered

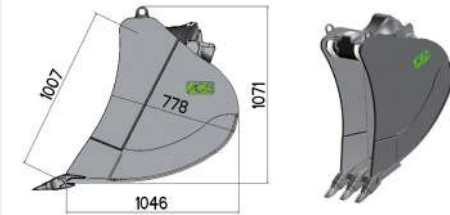
Profile 5CP1E

HD BACKHOES RANGE 52 TB2

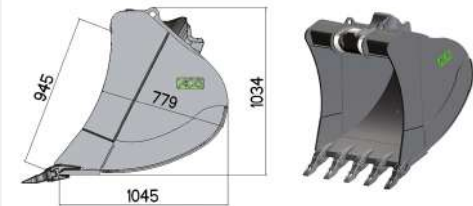
Morin Original system coupler M5
for machines from 10t to 15t
Couplers available on pages 18 to 30

Specially designed for construction and renovation work, HD BUCKETS offer the best performance for your application. The standard HD version can be reinforced with shields, side cutters, corner protectors, skids, plates, etc. Please don't hesitate to contact us for more information.

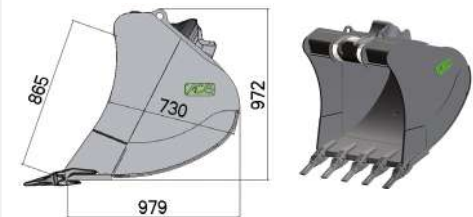
Profile 5CP2E Tapered



Profile 5CP1E



Profile 52PIE



Bucket with teeth

KOMATSU P015SC

Thickness 30 mm • D20



MTG MA15U

Thickness 30 mm • D15



PART NUMBER	WIDTH (mm)	ISO CAPACITY (l)	BUCKET WEIGHT (kg)*	TOTAL WEIGHT (kg)	PRICE EXCL. VAT (€)	NUMBER OF TEETH	ITEM CODE	NUMBER OF TEETH	ITEM CODE
R-5CP2E-400	400	245	318	759	-	2	P015SC	3	5147760
R-5CP2E-450	450	255	323	782	-	3	P015SC	3	5117280
R-5CP1E-520	520	297	359	894	-	3	P015SC	3	5131462
R-5CP1E-600	600	377	407	1086	-	3	P015SC	3	5146997
R52-PIE-700	700	369	389	1053	-	4	P015SC	4	MA15U
R52-PIE-800	800	441	426	1220	-	4	P015SC	4	5147761
R52-PIE-900	900	514	453	1378	-	5	P015SC	4	5150434
R52-PIE-1000	1000	588	481	1539	-	5	P015SC	5	5117281
R52-PIE-1100	1100	662	519	1711	-	5	P015SC	5	MA15U
R52-PIE-1200	1200	736	540	1865	-	5	P015SC	5	MA15U

Profile 5CP2E Tapered

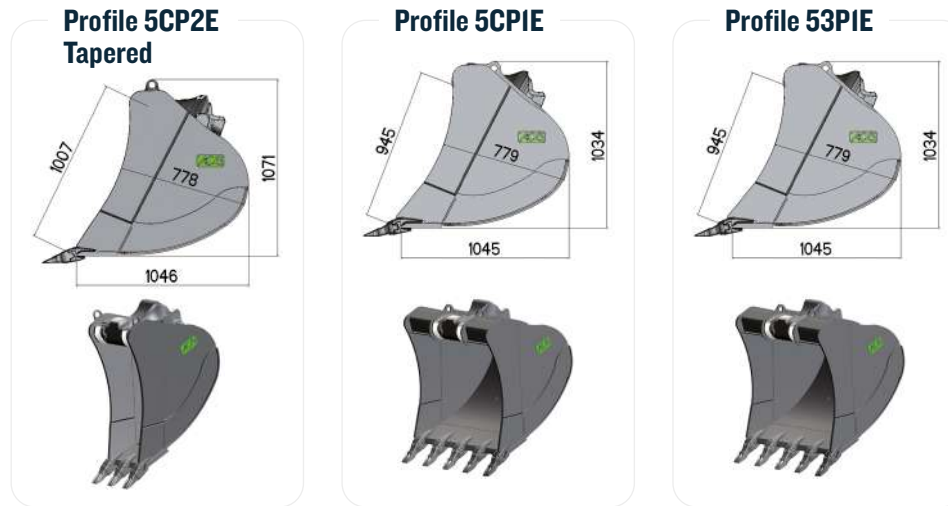
Profile 5CP1E

• Represents the range of breakout forces the tooth can withstand. To see the correspondence table, go to page 13.

Thickness = Blade thickness | (*) Weight variation +/- 2% depending on equipment | Total weight = (ISO capacity in l x Density 1.8) + Bucket weight in kg | Average tooth count

HD BACKHOES RANGE 53 TBI

Morin Original system coupler M5
for machines from 10t to 15t
Couplers available on pages 18 to 30



• Represents the range of breakout forces the tooth can withstand. To see the correspondence table, go to page 13.

Thickness = Blade thickness | (*) Weight variation +/- 2% depending on equipment | Total weight = (ISO capacity in l x Density 1.8) + Bucket weight in kg | Average tooth count

Bucket with teeth

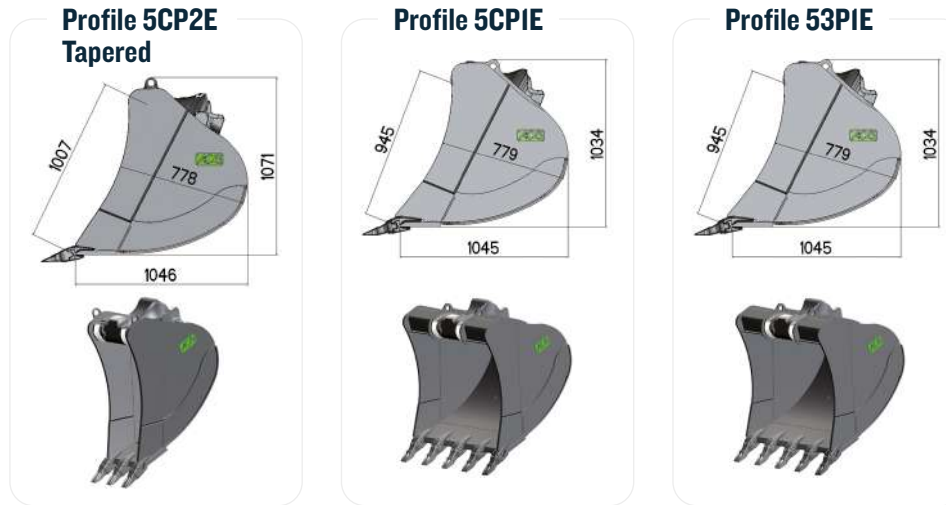


PART NUMBER	WIDTH (mm)	ISO CAPACITY (l)	BUCKET WEIGHT (kg)*	TOTAL WEIGHT (kg)	PRICE EXCL. VAT (€)	NUMBER OF TEETH	ITEM CODE	NUMBER OF TEETH	ITEM CODE	NUMBER OF TEETH	ITEM CODE
R-5CP2E-400	400	245	327	768	-	3	1U3252	2	5085555	2	5087473
R-5CP2E-450	450	255	322	781	-	3	1U3252	3	5085272	3	5088047
R-5CP1E-520	520	297	362	897	-	3	5081532	3	5073798	3	5087906
R-5CP1E-600	600	377	412	1091	-	3	5110859	3	5073855	3	5087475
R53-PIE-700	700	418	424	1176	-	4	1U3252	3	5078733	4	FK4TLR
R53-PIE-800	800	500	464	1364	-	4	1U3252	4	5078602	4	5093966
R53-PIE-900	900	584	494	1545	-	5	1U3252	4	5078629	4	FK4TLR
R53-PIE-1000	1000	668	525	1727	-	5	1U3252	4	5072929	5	5086399
R53-PIE-1100	1100	754	564	1921	-	5	1U3252	5	5078638	5	5087866
R53-PIE-1200	1200	839	595	2105	-	5	5086212	5	5078703	5	5080136

Profile 5CP2E Tapered
Profile 5CP1E

HD BACKHOES RANGE 53 TBI

Morin Original system coupler M5
for machines from 10t to 15t
Couplers available on pages 18 to 30



• Represents the range of breakout forces the tooth can withstand. To see the correspondence table, go to page 13.

Thickness = Blade thickness | (*) Weight variation +/- 2% depending on equipment | Total weight = (ISO capacity in l x Density 1.8) + Bucket weight in kg | Average tooth count

Specially designed for construction and renovation work, HD BUCKETS offer the best performance for your application. The standard HD version can be reinforced with shields, side cutters, corner protectors, skids, plates, etc.

Bucket with teeth



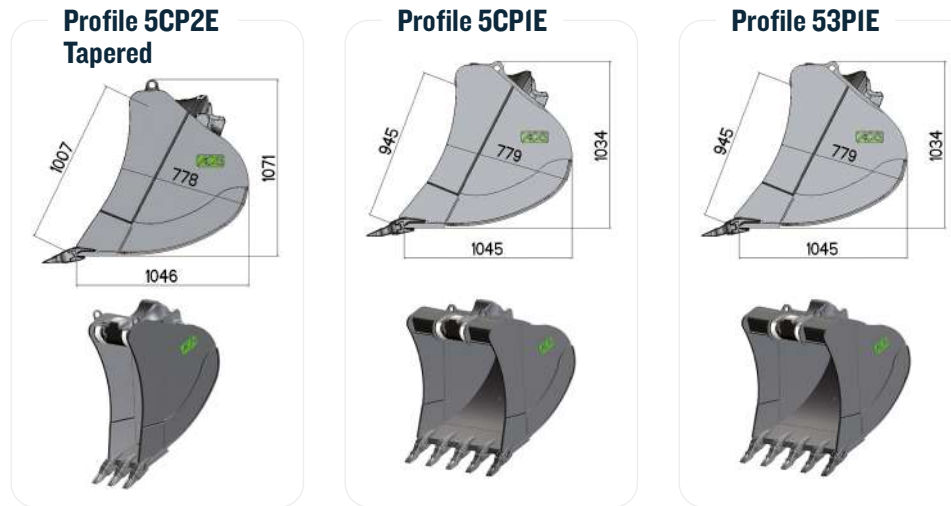
PART NUMBER	WIDTH (mm)	ISO CAPACITY (l)	BUCKET WEIGHT (kg)*	TOTAL WEIGHT (kg)	PRICE EXCL. VAT (€)	NUMBER OF TEETH	ITEM CODE	NUMBER OF TEETH	ITEM CODE	NUMBER OF TEETH	ITEM CODE
R-5CP2E-400	400	245	318	759	-	2	FT230S	2	P015SC	3	5147760
R-5CP2E-450	450	255	323	782	-	3	FT230S	3	P015SC	3	5117280
R-5CPIE-520	520	297	359	894	-	3	5085407	3	P015SC	3	5131462
R-5CPIE-600	600	377	407	1086	-	3	5083070	3	P015SC	3	5146997
R53-PIE-700	700	418	424	1176	-	3	FT230S	4	P015SC	4	MA15U
R53-PIE-800	800	500	464	1364	-	4	5085409	4	P015SC	4	MA15U
R53-PIE-900	900	584	494	1545	-	4	FT230S	5	P015SC	4	MA15U
R53-PIE-1000	1000	668	525	1727	-	4	FT230S	5	P015SC	5	5131463
R53-PIE-1100	1100	754	564	1921	-	5	5085410	5	P015SC	5	5146998
R53-PIE-1200	1200	839	593	2103	-	5	5083071	5	P015SC	5	5089081

Profile 5CP2E Tapered

Profile 5CPIE

HD BACKHOES RANGE 53 TB2

Morin Original system coupler M5
for machines from 10t to 15t
Couplers available on pages 18 to 30



• Represents the range of breakout forces the tooth can withstand. To see the correspondence table, go to page 13.

Thickness = Blade thickness | (*) Weight variation +/- 2% depending on equipment | Total weight = (ISO capacity in l x Density 1.8) + Bucket weight in kg | Average tooth count

Bucket with teeth



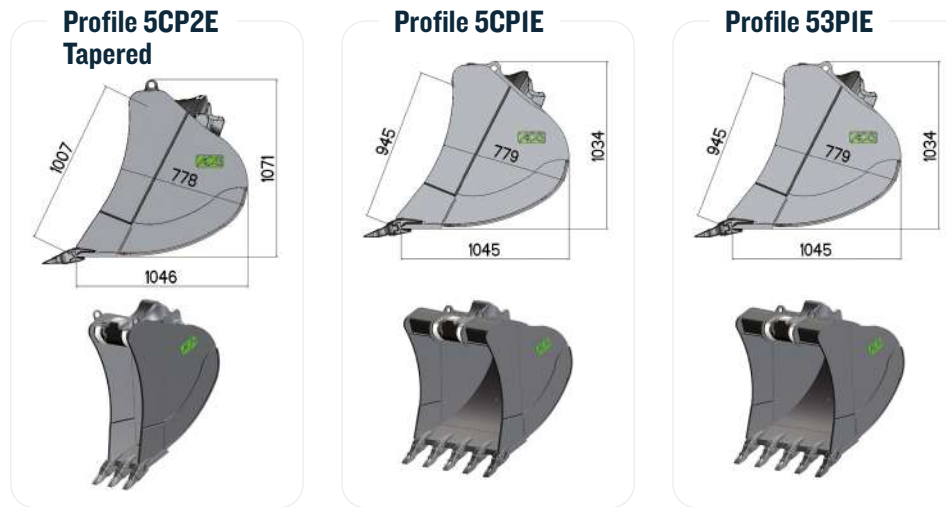
PART NUMBER	WIDTH (mm)	ISO CAPACITY (l)	BUCKET WEIGHT (kg)*	TOTAL WEIGHT (kg)	PRICE EXCL. VAT (€)	NUMBER OF TEETH	ITEM CODE	NUMBER OF TEETH	ITEM CODE	NUMBER OF TEETH	ITEM CODE	NUMBER OF TEETH	ITEM CODE
R-5CP2E-400	400	245	340	781	-	3	1U3302	3	R14GPE	2	5093653	2	5150668
R-5CP2E-450	450	255	343	802	-	3	1U3302	3	R14GPE	3	U30S	3	FK5TLR
R-5CP1E-520	520	297	368	903	-	3	5087579	3	R14GPE	3	5081670	3	5088886
R-5CP1E-600	600	377	430	1109	-	3	1U3302	3	R14GPE	3	5093656	3	5083497
R53-PIE-700	700	418	423	1175	-	4	1U3302	4	R14GPE	3	U30S	3	FK5TLR
R53-PIE-800	800	500	450	1350	-	4	1U3302	4	R14GPE	4	U30S	4	5086021
R53-PIE-900	900	584	500	1551	-	4	1U3302	5	R14GPE	4	5108551	4	5107425
R53-PIE-1000	1000	668	522	1724	-	5	1U3302	5	R14GPE	4	5105052	4	5105254
R53-PIE-1100	1100	754	561	1918	-	5	5135947	5	R14GPE	4	5083817	5	5086022
R53-PIE-1200	1200	839	600	2110	-	5	5117095	6	R14GPE	5	5081672	5	5112311

Profile 5CP2E Tapered

Profile 5CP1E

HD BACKHOES RANGE 53 TB2

Morin Original system coupler M5
for machines from 10t to 15t
Couplers available on pages 18 to 30



• Represents the range of breakout forces the tooth can withstand. To see the correspondence table, go to page 13.

Thickness = Blade thickness | (*) Weight variation +/- 2% depending on equipment | Total weight = (ISO capacity in l x Density 1.8) + Bucket weight in kg | Average tooth count

Specially designed for construction and renovation work, HD BUCKETS offer the best performance for your application. The standard HD version can be reinforced with shields, side cutters, corner protectors, skids, plates, etc.

Bucket with teeth



PART NUMBER	WIDTH (mm)	ISO CAPACITY (l)	BUCKET WEIGHT (kg)*	TOTAL WEIGHT (kg)	PRICE EXCL. VAT (€)	NUMBER OF TEETH	ITEM CODE	NUMBER OF TEETH	ITEM CODE	NUMBER OF TEETH	ITEM CODE
R-5CP2E-400	400	245	337	778	-	2	5090813	2	P020SC	3	MA20U
R-5CP2E-450	450	255	343	802	-	2	FT290S	2	P020SC	3	5101811
R-5CPIE-520	520	297	374	909	-	3	FT290S	3	P020SC	3	MA20U
R-5CPIE-600	600	377	427	1106	-	3	5086458	3	P020SC	3	MA20U
R53-PIE-700	700	418	424	1176	-	3	FT290S	3	P020SC	3	MA20U
R53-PIE-800	800	500	464	1364	-	4	FT290S	3	P020SC	4	MA20U
R53-PIE-900	900	584	514	1565	-	4	5086459	4	P020SC	4	MA20U
R53-PIE-1000	1000	668	525	1727	-	4	FT290S	4	P020SC	4	MA20U
R53-PIE-1100	1100	754	564	1921	-	4	FT290S	4	P020SC	5	MA20U
R53-PIE-1200	1200	839	616	2126	-	5	5090815	5	P020SC	5	MA20U

Profile 5CP2E Tapered

Profile 5CPIE

BANANA BUCKETS

Morin Original system coupler M5 for machines from 10t to 15t
Couplers available on pages 18 to 30

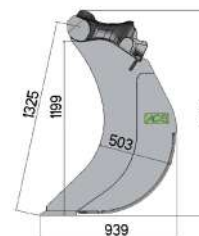
TINES	ITEM CODE	TINE CLASS	BLADE THICKNESS
PRICE TB1			
ESCO	U20S	D15	25 mm
FEURST	FK3TLR	D20	25 mm
PRICE TB2			
CAT	1U3252	D15	30 mm
ESCO	U25S	D20	30 mm
FEURST	FK4TLR	D30	30 mm
FUTURA	FT230S	D20	30 mm
KOMATSU	PO15RC	D20	30 mm
MTG	MA15U	D15	30 mm
PRICE TB3			
CAT	1U3302	D20	30 mm
C-REX	R14GPE	D20	30 mm
ESCO	U30S	D30	35 mm
FEURST	FK5TLR	D40	35 mm
FUTURA	FT290S	D30	30 mm
KOMATSU	PO20RC	D30	30 mm
MTG	MA20U	D20	35 mm

Thanks to its narrow width, the BANANA BUCKET is ideal for work requiring precision, such as small trenches or cable installation.

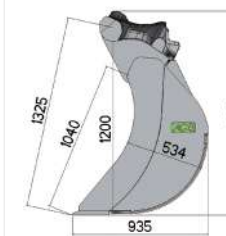
• Represents the range of breakout forces the tooth can withstand. To see the correspondence table, go to page 13.

Thickness = Blade thickness | (*) Weight variation +/- 2% depending on equipment | Total weight = (ISO capacity in l x Density 1.8) + Bucket weight in kg | Average tooth count

Profile 5CP5EL



Profile 5CP6EL



Profile 5CP5EL

⚠ Depth limited to 1,199 mm

PART NUMBER	WIDTH (mm)	ISO CAPACITY (l)	BUCKET WEIGHT (kg)*	TOTAL WEIGHT (kg)	PRICE EXCL. VAT TB1 (€)	PRICE EXCL. VAT TB2 (€)	PRICE EXCL. VAT TB3 (€)
5GL-5CP5EL-300	300	100	283	463	-	-	-

Profile 5CP6EL and 5CP6E

⚠ Depth limited to 1,200 mm for 5CP6EL profiles

PART NUMBER	WIDTH (mm)	ISO CAPACITY (l)	BUCKET WEIGHT (kg)*	TOTAL WEIGHT (kg)	PRICE EXCL. VAT TB1 (€)	PRICE EXCL. VAT TB2 (€)	PRICE EXCL. VAT TB3 (€)
5GL-5CP6EL-350	350	145	305	566	-	-	-
5GL-5CP6EL-400	400	145	310	571	-	-	-
5GL-5CP6E-450	450	206	348	719	-	-	-
5GL-5CP6E-500	500	182	330	658	-	-	-

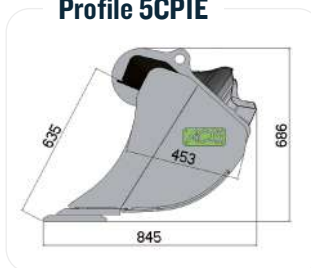
FIXED DITCH CLEANING BUCKETS

Morin Original system coupler M5
for machines from 10t to 15t
Couplers available on pages 18 to 30

The ditch cleaning bucket can be used for finishing work such as ditch cleaning, embanking, levelling and much more.

Thickness = Blade thickness | (*) Weight variation +/- 2% depending on equipment | Total weight = (ISO capacity in l x Density 1.8) + Bucket weight in kg

Profile 5CP1E



REVERSIBLE BOLT-ON COUNTER-BLADE

Thickness 25 mm



REVERSIBLE BOLT-ON COUNTER-BLADE + REAR BLADE

Thickness 25 mm



Profile 5CP1E

PART NUMBER	WIDTH (mm)	ISO CAPACITY (l)	BUCKET WEIGHT (kg)*	TOTAL WEIGHT (kg)	PRICE EXCL. VAT (€)	ITEM CODE	BUCKET WEIGHT (kg)*	TOTAL WEIGHT (kg)	PRICE EXCL. VAT (€)	ITEM CODE
CM5-1600-5CP1E	1600	417	509	1260	-	5089688	550	1301	-	RBCB+LAR
CM5-1800-5CP1E	1800	489	557	1437	-	5081083	600	1480	-	5080557
CM5-2000-5CP1E	2000	530	605	1559	-	5081082	655	1609	-	5080880

Profile 5CP2E



REVERSIBLE BOLT-ON COUNTER-BLADE

Thickness 25 mm



REVERSIBLE BOLT-ON COUNTER-BLADE + REAR BLADE

Thickness 25 mm



Profile 5CP2E

PART NUMBER	WIDTH (mm)	ISO CAPACITY (l)	BUCKET WEIGHT (kg)*	TOTAL WEIGHT (kg)	PRICE EXCL. VAT (€)	ITEM CODE	BUCKET WEIGHT (kg)*	TOTAL WEIGHT (kg)	PRICE EXCL. VAT (€)	ITEM CODE
CM5-1600-5CP2E	1600	625	552	1641	-	RBCB	591	1680	-	5120894
CM5-1800-5CP2E	1800	712	604	1930	-	5081080	647	1929	-	5080350
CM5-2000-5CP2E	2000	772	655	2045	-	5080111	705	2095	-	5081076
CM5-2200-5CP2E	2200	883	706	2295	-	5080787	762	2351	-	5081077

TILT DITCH CLEANING BUCKETS

Morin Original system coupler M5
for machines from 10t to 15t
Couplers available on pages 18 to 30

The TILTING BUCKET can be used for finishing work such as ditch cleaning, embanking, levelling and much more. The tilting version is stable on the ground and remains upright to facilitate the next attachment.

Thickness = Blade thickness | (*) Weight variation +/- 2% depending on equipment | Total weight = (ISO capacity in l x Density 1.8) + Bucket weight in kg



Profile 5IPI 2 x 45° - 2 Cylinders

PART NUMBER	WIDTH (mm)	ISO CAPACITY (l)	BUCKET WEIGHT (kg)*	TOTAL WEIGHT (kg)	PRICE EXCL. VAT (€)	ITEM CODE	BUCKET WEIGHT (kg)*	TOTAL WEIGHT (kg)	PRICE EXCL. VAT (€)	ITEM CODE
5IPI-1800	1800	471	652	1500	-	5117221	687	1535	-	5078427
5IPI-2000	2000	527	692	1641	-	5151575	732	1681	-	5080114

REVERSIBLE BOLT-ON COUNTER-BLADE

Thickness 25 mm



REVERSIBLE BOLT-ON COUNTER-BLADE + REAR BLADE

Thickness 25 mm



Profile 5CPI 2 x 45° - 2 Cylinders

PART NUMBER	WIDTH (mm)	ISO CAPACITY (l)	BUCKET WEIGHT (kg)*	TOTAL WEIGHT (kg)	PRICE EXCL. VAT (€)	ITEM CODE	BUCKET WEIGHT (kg)*	TOTAL WEIGHT (kg)	PRICE EXCL. VAT (€)	ITEM CODE
5CPI-1800	1800	502	890	1794	-	5119298	950	1854	-	5074045
5CPI-2000	2000	562	947	1959	-	5087904	1016	2028	-	5079308
5CPI-2200	2200	622	1000	2120	-	RBCB	1078	2198	-	5079316

REVERSIBLE BOLT-ON COUNTER-BLADE

Thickness 25 mm



REVERSIBLE BOLT-ON COUNTER-BLADE + REAR BLADE

Thickness 25 mm



STANDARD TOOLS

Morin Original system coupler M5 for machines from 10t to 15t
Couplers available on pages 18 to 30

As a bucket isn't always enough, a range of TOOLS is available to meet all your needs. For more information, please refer to the attached product specification sheets or contact us.

(*) Weight variation of +/- 2% depending on equipment | Stock item ■

Ripper tooth

Ripper tooth for work on rocky terrain
R = 1 153 60 mm - 1 tooth ESCO U30P



PART NUMBER	WEIGHT (kg)*	PRICE EXCL. VAT (€)
5082097	214	-

Universal joint

Tool for articulating, along two axes, a gripper, a grapple, an auger, etc.



PART NUMBER	WEIGHT (kg)*	PRICE EXCL. VAT (€)
UNIVERSAL JOINT-M5	Depending on equipment	-

Suspension link

Tool for single-axis articulation of products already fitted with a suspension system



PART NUMBER	WEIGHT (kg)*	PRICE EXCL. VAT (€)
NOIX-M5	Depending on size	-

4 x 1 bucket

Multi-purpose tool enabling various operations to be carried out with a single tool, such as: loading, snow removal, levelling, etc.

Dimensions:

- Width 1870 mm,
- 700 l capacity



PART NUMBER	WEIGHT (kg)*	PRICE EXCL. VAT (€)
4x1-M5	778	-

Bolt-on adapter

Tool for bolting on hydraulic equipment



PART NUMBER	WEIGHT (kg)*	PRICE EXCL. VAT (€)
BOLT-ON ADAPTER-M5	Depending on equipment	-

Pallet forks

There are two versions of our pallet forks:

- A simple version, for attachment using a quick coupler only.
- A version with an arrangement on the front blade, allowing the pallet forks to be attached to the blade, for use on sites only.

To order your pallet forks, please specify which version you require. For the second version, the decision to weld or place depends on the blade profile of your machine. Forks 3,000 kg.



PART NUMBER	WEIGHT (kg)*	PRICE EXCL. VAT (€)
LP-M5-SIMPLE	410	-
LP-M5-SUR LAME	460	-

SPECIAL TOOLS

Morin Original system coupler M5 for machines from 10t to 15t
Couplers available on pages 18 to 30

Non-exhaustive list. Please contact us for more information.

Some situations require special dimensions or configurations. That's why ACB+ is at your disposal for any specific requests. Our SPECIAL TOOLS are made to measure. So you have a choice of teeth, pitch, width, etc. Here are just a few examples.

(*) Weight variation of +/- 2% depending on equipment

Grid backhoe

Tool for sieving rubble and pebbles.
Grid backhoe 1,200 mm
5 teeth FEURST FTK4TLR - Pitch 100 x 100 mm



PART NUMBER	WEIGHT (kg)*	PRICE EXCL. VAT (€)
5084705	698	-

Universal grading bucket

Finishing tool for rotating couplers and tiltrotators
Universal grading bucket 1600 mm
RBCB - 0.53m³ - Profile 5UP1



PART NUMBER	WEIGHT (kg)*	PRICE EXCL. VAT (€)
CURAGE-UNIV-M5	690	-

Rear rake

Tool for small-scale forestry work to rake, swath and load stumps and branches
Rear Rake 2,200 mm -
9 teeth FEURST 24TLR - Pitch 180 mm



PART NUMBER	WEIGHT (kg)*	PRICE EXCL. VAT (€)
5084298	1001	-

Claw backhoe

Tool for gripping and manipulating objects -
Claw backhoe 1,100 mm
0.783m³ - 7 Teeth CAT 1U3352



PART NUMBER	WEIGHT (kg)*	PRICE EXCL. VAT (€)
5109662	939	-

SPECIAL TOOLS

Morin Original system coupler M5 for machines from 10t to 15t
Couplers available on pages 18 to 30

Non-exhaustive list. Please contact us for more information.

Some situations require special dimensions or configurations. That's why ACB+ is at your disposal for any specific requests. Our SPECIAL TOOLS are made to measure. So you have a choice of teeth, pitch, width, etc. Here are just a few examples.

(*) Weight variation of +/- 2% depending on equipment

Front and rear rake

A tool for small-scale forestry work to create swaths by pulling and pushing. Front and Rear Rake 910 mm 5 Claws - Pitch 180 mm



PART NUMBER	WEIGHT (kg)*	PRICE EXCL. VAT (€)
PEIGNE-DOUBLE-M5	657	-

Grapple thumb

Hydraulic tool mounted directly under the dipperstick of an excavator to help pick up and place objects.
Thumb Module 5



PART NUMBER	WEIGHT (kg)*	PRICE EXCL. VAT (€)
THUMB-M5	Depending on equipment	-

Stump grinder tooth

Tool for levelling (cutting) stumps and completing stump removal
Double stump grinder
R=932 - 60mm -



PART NUMBER	WEIGHT (kg)*	PRICE EXCL. VAT (€)
5148470	291	-

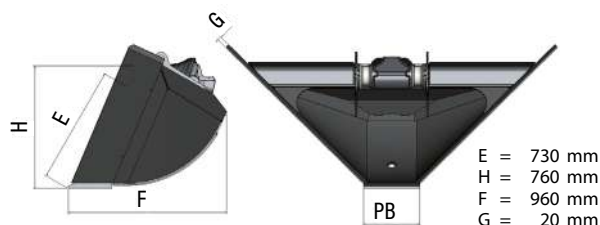
TRAPEZOIDAL BUCKETS

Morin Original system coupler M5 for machines from 10t to 15t
Couplers available on pages 18 to 30

TRAPEZOIDAL BUCKETS have been designed for creating, cleaning and finishing ditches. To adapt to all types of terrain and configurations, numerous variants are available. For more information, please refer to the attached product specification sheets or contact us.

Trapezoidal buckets with 45° angles

Buckets for creating profiled ditches - with teeth.
Angle: 45° (1 for 1)



Profile 1

SMALL LOW (mm)	ITEM CODE	PRICE EXCL. VAT (€)
400	TC-5-P1-45-400	-
500	TC-5-P1-45-500	-
600	TC-5-P1-45-600	-

Profile 2



SMALL LOW (mm)	ITEM CODE	PRICE EXCL. VAT (€)
350	TC-5-45-350	-
400	TC-5-45-400	-
450	TC-5-45-450	-
500	TC-5-45-500	-
550	TC-5-45-550	-

Trapezoidal buckets with 33° angles

Buckets for creating profiled ditches - with teeth.
Angle: 33° (3 for 2)



SMALL LOW (mm)	ITEM CODE	PRICE EXCL. VAT (€)
350	TC-5-33-350	-
400	TC-5-33-400	-
450	TC-5-33-450	-
500	TC-5-33-500	-
550	TC-5-33-550	-

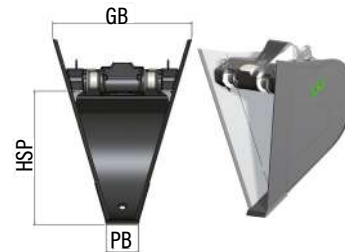
TRAPEZOIDAL BUCKETS

Morin Original system coupler M5
for machines from 10t to 15t
Couplers available on pages 18 to 30

TRAPEZOIDAL BUCKETS have been designed for creating, cleaning and finishing ditches. To adapt to all types of terrain and configurations, numerous variants are available. For more information, please refer to the attached product specification sheets or contact us.

Reprofiling trapezoidal bucket - Wide angle

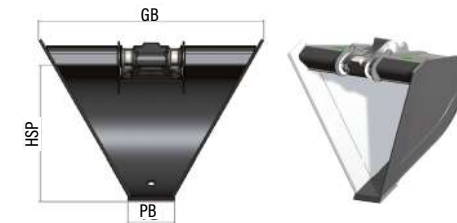
Buckets for creating profiled ditches - without teeth.



LARGE LOW (mm)	SMALL LOW (mm)	PRICE EXCL. VAT (€)
from 800 mm to 1,500 mm	200	-
	300	-
	400	-
	450	-
	500	-

Reprofiling trapezoidal bucket - Narrow angle

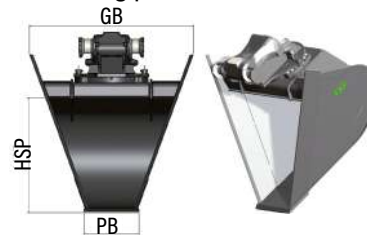
Buckets for creating profiled ditches - without teeth.



LARGE LOW (mm)	SMALL LOW (mm)	PRICE EXCL. VAT (€)
from 1,550 mm to 3,000 mm	200	-
	300	-
	400	-
	450	-
	500	-

Rotating reprofiling trapezoidal bucket 2 x 45° Wide angle

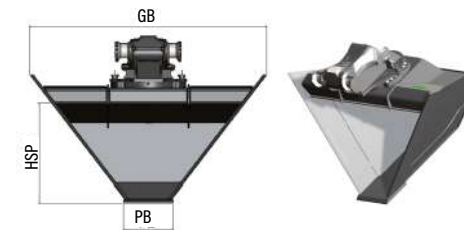
Buckets for creating profiled ditches - without teeth.



LARGE LOW (mm)	SMALL LOW (mm)	PRICE EXCL. VAT (€)
from 1,000 mm to 1,500 mm	200	-
	300	-
	400	-
	450	-
	500	-

Rotating reprofiling trapezoidal bucket 2 x 45° Narrow angle

Buckets for creating profiled ditches - without teeth.



LARGE LOW (mm)	SMALL LOW (mm)	PRICE EXCL. VAT (€)
from 1,550 mm to 2,000 mm	200	-
	300	-
	400	-
	450	-
	500	-