

MODULE 7



Classic hydraulic couplers 630kg

Morin Original system coupler M7
for machines from 24t to 50t
Couplers available on pages 18 to 30

Morin Original system tool summary - Module 7

HD backhoes **176**

Range 71 TB1	176
Range 71 TB2	178
Range 72 TB1	180
Range 72 TB2	181
Range 73 TB1	182
Range 73 TB2	183

Fixed ditch cleaning buckets **184**

Tilt ditch cleaning buckets **185**

Standard tools **187**

Special tools **188**

The module 7 range is evolving. Its new M7+ kit can now equip machines up to 50 tons.

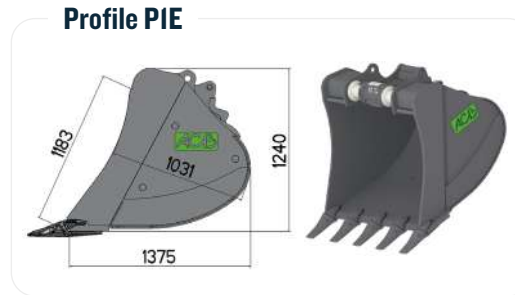
Hydraulic kit for powering and controlling hydraulic coupler 5105978. **More information on page 43.**

Machines assigned to this module

BRAND	MACHINES	COUPLER	BUCKET RANGE	TINE CLASS
CASE	CX350D CX370D	H7	72	D55
CATERPILLAR	330GC 330 STAGE V 335NG 336E DB 330D TB LME 340F UHD TIM DB 349E TIM TB 336D TB LME 336 FXE TB	H7 H7 H7+ H7+	71 72 72 73	D40 D55 D55 D65
DEVELON	DX300LC-7K DX300LC-7 SLR DX380LC-7K DX420LC-7K DX530LC-7K DX530LC-7 SLR	H7 H7 H7+	71 72 73	D40 D55 D65
HITACHI	ZX300LC-7 ZX250LC-7 ZX350LC-7 ZX490 LCH-7 ZX500LCH-3 ZX470LCH-5	H7 H7 H7+	71 72 73	D40 D55 D65
HYUNDAI	HX330AL HX380AL	H7	71	D55
KOBELCO ⁽¹⁾	SK300NLC-11 SK350NLC-11	H7 H7	71 71	D40 D55
KOMATSU	HB365LC-3 PC360LC/NLC-11 PC290LC-11 PC300-3 PC490-LC-11	H7 H7 H7+	71 72 73	D55 D55 D65
LIEBHERR	R934PE R934 LI R934B R936 R936COMPACT R936PE R954B MULTI USER R930 R930 SEALED BEARING R934 R938 R945G8 R946 R950 Demolition R950 SME	H7 H7 H7 H7+	71 72 72 73	D40 D40 D55 D65
LIUGONG	CLG930E	H7	71	D40
SANY	SY335C SY365C	H7 H7	71 72	D55 D55
VOLVO	EC300 EL ECR355 EC380E	H7 H7	71 72	D40 D55

HD BACKHOES RANGE 71 TBI

Morin Original system coupler M7
for machines from 24t to 50t
Couplers available on pages 18 to 30



• Represents the range of breakout forces the tooth can withstand. To see the correspondence table, go to page 13.

Thickness = Blade thickness | (*) Weight variation +/- 2% depending on equipment | Total weight = (ISO capacity in l x Density 1.8) + Bucket weight in kg | Average tooth count

Example of an XHD design with optional skids, plates and corner shields. All our options are available on pages 44 and 45.



Specially designed for construction and renovation work, HD BUCKETS offer the best performance for your application. The standard HD version can be reinforced with shields, side cutters, corner protectors, skids, plates, etc.

Bucket with teeth

PART NUMBER	WIDTH (mm)	ISO CAPACITY (l)	BUCKET WEIGHT (kg)*	TOTAL WEIGHT (kg)	PRICE EXCL. VAT (€)	CAT CA100 220-9099		C-REX R23GPE		ESCO U35S	
						NUMBER OF TEETH	ITEM CODE	NUMBER OF TEETH	ITEM CODE	NUMBER OF TEETH	ITEM CODE
R71-P1E-850	850	800	929	2369	-	3	CA100	3	R23GPE	3	5132013
R71-P1E-1400	1400	1370	1317	3783	-	4	CA100	5	R23GPE	5	U35S
R71-P1E-1500	1500	1500	1375	4075	-	5	CA100	5	R23GPE	5	5132012
R71-P1E-1600	1600	1620	1438	4354	-	5	CA100	5	R23GPE	5	U35S
R71-P1E-1700	1700	1740	1520	4652	-	6	CA100	6	R23GPE	6	U35S

CAT CA100 220-9099
Thickness 45 mm • D40



C-REX R23GPE
Thickness 40 mm • D40



ESCO U35S
Thickness 40 mm • D40



HD BACKHOES RANGE 71 TBI

Morin Original system coupler M7
for machines from 24t to 50t
Couplers available on pages 18 to 30

Profile PIE



- Represents the range of breakout forces the tooth can withstand. To see the correspondence table, go to page 13.

Thickness = Blade thickness | (*) Weight variation +/- 2% depending on equipment | Total weight = (ISO capacity in l x Density 1.8) + Bucket weight in kg | Average tooth count

Example of an XHD design with optional skirts, plates and corner shields. All our options are available on pages 44 and 45.



MTG MA40U

Thickness 40 mm • D40



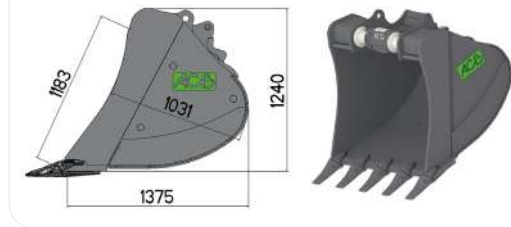
Bucket with teeth

PART NUMBER	WIDTH (mm)	ISO CAPACITY (l)	BUCKET WEIGHT (kg)*	TOTAL WEIGHT (kg)	PRICE EXCL. VAT (€)	NUMBER OF TEETH	ITEM CODE
R71-PIE-850	850	800	929	2369	-	3	MA40U
R71-PIE-1400	1400	1370	1317	3783	-	5	MA40U
R71-PIE-1500	1500	1500	1375	4075	-	5	MA40U
R71-PIE-1600	1600	1620	1438	4354	-	5	MA40U
R71-PIE-1700	1700	1740	1520	4652	-	6	MA40U

HD BACKHOES RANGE 71 TB2

Morin Original system coupler M7
for machines from 24t to 50t
Couplers available on pages 18 to 30

Profile PIE



• Represents the range of breakout forces the tooth can withstand. To see the correspondence table, go to page 13.

Thickness = Blade thickness | (*) Weight variation +/- 2% depending on equipment | Total weight = (ISO capacity in l x Density 1.8) + Bucket weight in kg | Average tooth count

Example of an XHD design with optional skirts, plates and corner shields. All our options are available on pages 44 and 45.



Specially designed for construction and renovation work, HD BUCKETS offer the best performance for your application. The standard HD version can be reinforced with shields, side cutters, corner protectors, skirts, plates, etc.

Bucket with teeth

PART NUMBER	WIDTH (mm)	ISO CAPACITY (l)	BUCKET WEIGHT (kg)*	TOTAL WEIGHT (kg)	PRICE EXCL. VAT (€)	C-REX R29GPE		ESCO U40S		FEURST FK7TLR	
						NUMBER OF TEETH	ITEM CODE	NUMBER OF TEETH	ITEM CODE	NUMBER OF TEETH	ITEM CODE
R71-P1E-850	850	800	979	2419	-	3	R29GPE	3	5144250	3	FK7TLR
R71-P1E-1400	1400	1370	1357	3823	-	5	R29GPE	5	U40S	5	FK7TLR
R71-P1E-1500	1500	1500	1415	4115	-	5	R29GPE	5	U40S	5	FK7TLR
R71-P1E-1600	1600	1620	1478	4394	-	5	R29GPE	5	5132154	5	FK7TLR
R71-P1E-1700	1700	1740	1554	4686	-	6	R29GPE	5	U40S	5	FK7TLR

C-REX R29GPE

Thickness 50 mm • D55



ESCO U40S

Thickness 45 mm • D55



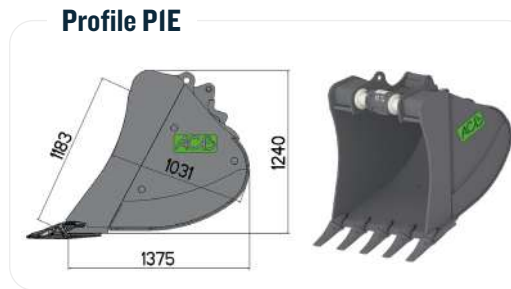
FEURST FK7TLR

Thickness 40 mm • D55



HD BACKHOES RANGE 71 TB2

Morin Original system coupler M7
for machines from 24t to 50t
Couplers available on pages 18 to 30



• Represents the range of breakout forces the tooth can withstand. To see the correspondence table, go to page 13.

Thickness = Blade thickness | (*) Weight variation +/- 2% depending on equipment | Total weight = (ISO capacity in l x Density 1.8) + Bucket weight in kg | Average tooth count

Example of an XHD design with optional skirts, plates and corner shields. All our options are available on pages 44 and 45.



Bucket with teeth

PART NUMBER	WIDTH (mm)	ISO CAPACITY (l)	BUCKET WEIGHT (kg)*	TOTAL WEIGHT (kg)	PRICE EXCL. VAT (€)	KOMATSU P030SC		MTG MA50U		VOLVO 55GPE	
						NUMBER OF TEETH	ITEM CODE	NUMBER OF TEETH	ITEM CODE	NUMBER OF TEETH	ITEM CODE
R71-PIE-850	850	800	979	2419	-	3	P030SC	3	MA50U	3	55GPE
R71-PIE-1400	1400	1370	1357	3823	-	5	P030SC	5	MA50U	5	55GPE
R71-PIE-1500	1500	1500	1415	4115	-	5	P030SC	5	MA50U	5	55GPE
R71-PIE-1600	1600	1620	1478	4394	-	5	P030SC	5	MA50U	5	55GPE
R71-PIE-1700	1700	1740	1554	4686	-	5	P030SC	5	MA50U	5	55GPE

KOMATSU P030SC

Thickness 45 mm • D55



MTG MA50U

Thickness 50 mm • D55



VOLVO 55GPE

Thickness 50 mm • D55



HD BACKHOES RANGE 72 TBI

Morin Original system coupler M7
for machines from 24t to 50t
Couplers available on pages 18 to 30

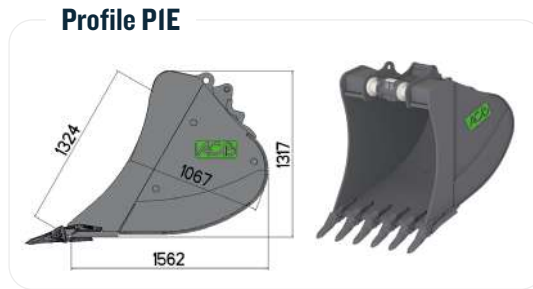
Specially designed for construction and renovation work, HD BUCKETS offer the best performance for your application. The standard HD version can be reinforced with shields, side cutters, corner protectors, skids, plates, etc.

Example of an XHD design with optional skids, plates and corner shields. All our options are available on pages 44 and 45.



• Represents the range of breakout forces the tooth can withstand. To see the correspondence table, go to page 13.
Thickness = Blade thickness | (*) Weight variation +/- 2% depending on equipment | Total weight = (ISO capacity in l x Density 1.8) + Bucket weight in kg | Average tooth count

Bucket with teeth



FEURST FK7TLR

Thickness 40 mm • D55



ESCO U40S

Thickness 45 mm • D55



MTG MA50U

Thickness 50 mm • D55



VOLVO 55GPE

Thickness 45 mm • D55

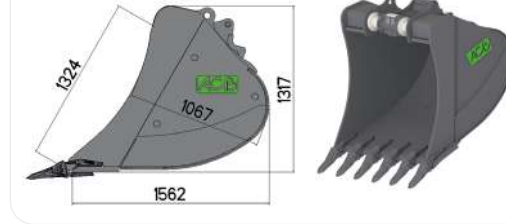


PART NUMBER	WIDTH (mm)	ISO CAPACITY (l)	BUCKET WEIGHT (kg)*	TOTAL WEIGHT (kg)	PRICE EXCL. VAT (€)	FEURST FK7TLR		ESCO U40S		MTG MA50U		VOLVO 55GPE	
						NUMBER OF TEETH	ITEM CODE	NUMBER OF TEETH	ITEM CODE	NUMBER OF TEETH	ITEM CODE	NUMBER OF TEETH	ITEM CODE
R72-PIE-850	850	900	994	2614	-	3	FK7TLR	3	U40S	3	MA50U	3	55GPE
R72-PIE-1000	1000	1140	1191	3243	-	4	FK7TLR	4	U40S	4	MA50U	4	55GPE
R72-PIE-1300	1300	1480	1410	4074	-	4	FK7TLR	5	U40S	5	MA50U	5	55GPE
R72-PIE-1500	1500	1780	1548	4752	-	5	FK7TLR	5	U40S	5	MA50U	5	55GPE
R72-PIE-1600	1600	1930	1621	5095	-	5	FK7TLR	5	5132182	5	MA50U	5	55GPE
R72-PIE-1700	1700	2090	1690	5452	-	6	FK7TLR	6	U40S	6	MA50U	6	55GPE

HD BACKHOES RANGE 72 TB2

Morin Original system coupler M7
for machines from 24t to 50t
Couplers available on pages 18 to 30

Profile PIE



• Represents the range of breakout forces the tooth can withstand. To see the correspondence table, go to page 13.

Thickness = Blade thickness | (*) Weight variation +/- 2% depending on equipment | Total weight = (ISO capacity in l x Density 1.8) + Bucket weight in kg | Average tooth count

Example of an XHD design with optional skids, plates and corner shields. All our options are available on pages 44 and 45.



Bucket with teeth

C-REX R29GPE

Thickness 50 mm • D65



ESCO U45S

Thickness 50 mm • D65



FEURST FK9TLR

Thickness 50 mm • D65



KOMATSU P040SC

Thickness 60 mm • D65



VOLVO 65GPE

Thickness 60 mm • D65



PART NUMBER	WIDTH (mm)	ISO CAPACITY (l)	BUCKET WEIGHT (kg)*	TOTAL WEIGHT (kg)	PRICE EXCL. VAT (€)	C-REX R29GPE		ESCO U45S		FEURST FK9TLR		KOMATSU P040SC		VOLVO 65GPE	
						NUMBER OF TEETH	ITEM CODE	NUMBER OF TEETH	ITEM CODE	NUMBER OF TEETH	ITEM CODE	NUMBER OF TEETH	ITEM CODE	NUMBER OF TEETH	ITEM CODE
R72-PIE-850	850	900	1023	2643	-	3	R29GPE	3	U45S	3	5145210	3	P040SC	3	65GPE
R72-PIE-1000	1000	1140	1229	3281	-	4	R29GPE	4	U45S	4	FK9TLR	4	P040SC	4	65GPE
R72-PIE-1300	1300	1480	1451	4115	-	4	R29GPE	4	U45S	4	FK9TLR	5	P040SC	5	65GPE
R72-PIE-1500	1500	1780	1596	4800	-	5	R29GPE	5	5130512	5	5145809	5	P040SC	5	65GPE
R72-PIE-1600	1600	1930	1668	5142	-	5	R29GPE	5	5143204	5	FK9TLR	5	P040SC	5	65GPE
R72-PIE-1700	1700	2090	1740	5502	-	5	R29GPE	5	U45S	5	FK9TLR	5	P040SC	5	65GPE

HD BACKHOES RANGE 73 TBI

Morin Original system coupler M7
for machines from 24t to 50t
Couplers available on pages 18 to 30

Profile PIE



Example of an XHD design with optional skids, plates and corner shields. All our options are available on pages 44 and 45.



• Represents the range of breakout forces the tooth can withstand. To see the correspondence table, go to page 13.

Thickness = Blade thickness | (*) Weight variation +/- 2% depending on equipment | Total weight = (ISO capacity in l x Density 1.8) + Bucket weight in kg | Average tooth count

Specially designed for construction and renovation work, HD BUCKETS offer the best performance for your application. The standard HD version can be reinforced with shields, side cutters, corner protectors, skids, plates, etc.

Bucket with teeth

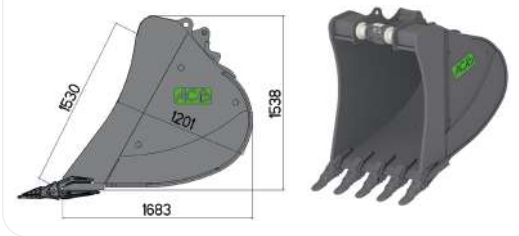


PART NUMBER	WIDTH (mm)	ISO CAPACITY (l)	BUCKET WEIGHT (kg)*	TOTAL WEIGHT (kg)	PRICE EXCL. VAT (€)	NUMBER OF TEETH	ITEM CODE	NUMBER OF TEETH	ITEM CODE	NUMBER OF TEETH	ITEM CODE	NUMBER OF TEETH	ITEM CODE	NUMBER OF TEETH	ITEM CODE
R73-P1E-1100	1100	1450	1811	4640	-	3	U45S	3	FK9TLR	3	P040SC	3	MA60U	3	65GPE
R73-P1E-1300	1300	1710	2140	5483	-	4	U45S	4	FK9TLR	4	P040SC	4	MA60U	4	65GPE
R73-P1E-1400	1400	1900	2305	5905	-	4	U45S	4	FK9TLR	5	P040SC	5	MA60U	5	65GPE
R73-P1E-1500	1500	2100	2470	6327	-	5	U45S	5	FK9TLR	5	P040SC	5	MA60U	5	65GPE
R73-P1E-1600	1600	2300	2634	6749	-	5	U45S	5	FK9TLR	5	P040SC	5	MA60U	5	65GPE
R73-P1E-1800	1800	2700	2964	7592	-	6	U45S	6	FK9TLR	6	P040SC	6	MA60U	6	65GPE

HD BACKHOES RANGE 73 TB2

Morin Original system coupler M7
for machines from 24t to 50t
Couplers available on pages 18 to 30

Profile PIE



• Represents the range of breakout forces the tooth can withstand. To see the correspondence table, go to page 13.

Thickness = Blade thickness | (*) Weight variation +/- 2% depending on equipment | Total weight = (ISO capacity in l x Density 1.8) + Bucket weight in kg | Average tooth count

Example of an XHD design with optional skids, plates and corner shields. All our options are available on pages 44 and 45.



Bucket with teeth

PART NUMBER	WIDTH (mm)	ISO CAPACITY (l)	BUCKET WEIGHT (kg)*	TOTAL WEIGHT (kg)	PRICE EXCL. VAT (€)	ESCO U60C		FEURST FK11PR		MTG MA120E1	
						NUMBER OF TEETH	ITEM CODE	NUMBER OF TEETH	ITEM CODE	NUMBER OF TEETH	ITEM CODE
R73-P1E-1100	1100	1450	1811	4640	-	3	U60C	3	FK11PR	3	MA120E1
R73-P1E-1300	1300	1710	2140	5483	-	4	U60C	4	FK11PR	4	MA120E1
R73-P1E-1400	1400	1900	2305	5905	-	4	U60C	4	FK11PR	5	MA120E1
R73-P1E-1500	1500	2100	2470	6327	-	5	U60C	5	FK11PR	5	MA120E1
R73-P1E-1600	1600	2300	2634	6749	-	5	U60C	5	FK11PR	5	MA120E1
R73-P1E-1800	1800	2700	2964	7592	-	6	U60C	6	FK11PR	6	MA120E1

ESCO U60C

Thickness 70 mm • D80



FEURST FK11PR

Thickness 60 mm • D80



MTG MA120E1

Thickness 90 mm • D80



FIXED DITCH CLEANING BUCKETS

Morin Original system coupler M7
for machines from 24t to 50t
Couplers available on pages 18 to 30

The ditch cleaning bucket can be used for finishing work such as ditch cleaning, embanking, levelling and much more. The tilting version is stable on the ground and remains upright to facilitate the next attachment.

Thickness = Blade thickness | (*) Weight variation +/- 2% depending on equipment | Total weight = (ISO capacity in l x Density 1.8) + Bucket weight in kg

Profile 7CP2



Profile 7CP2

PART NUMBER	WIDTH (mm)	ISO CAPACITY (l)	BUCKET WEIGHT (kg)*	TOTAL WEIGHT (kg)	PRICE EXCL. VAT (€)	ITEM CODE
CM7-7CP2-2000	2000	1550	1420	4210	-	7CP2
CM7-7CP2-2200	2200	1700	1527	4587	-	7CP2
CM7-7CP2-2400	2400	1870	1635	5001	-	7CP2

REVERSIBLE BOLTED COUNTER-BLADE + DOUBLE BOTTOMS

Thickness 25 mm



Profile 7CP3



Profile 7CP3

PART NUMBER	WIDTH (mm)	ISO CAPACITY (l)	BUCKET WEIGHT (kg)*	TOTAL WEIGHT (kg)	PRICE EXCL. VAT (€)	ITEM CODE
CM7-7CP3-2000	2000	1900	1496	4916	-	5158253
CM7-7CP3-2200	2200	2100	1609	5389	-	7CP3
CM7-7CP3-2400	2400	2300	1720	5860	-	5145211

REVERSIBLE BOLTED COUNTER-BLADE + DOUBLE BOTTOMS

Thickness 25 mm



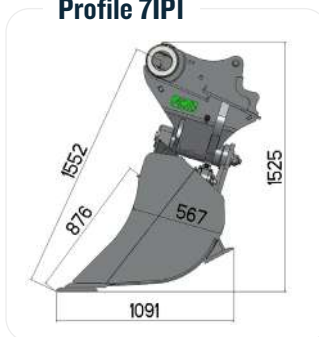
TILT DITCH CLEANING BUCKETS

Morin Original system coupler M7
for machines from 24t to 50t
Couplers available on pages 18 to 30

The TILTING BUCKET can be used for finishing work such as ditch cleaning, embanking, levelling and much more. The tilting version is stable on the ground and remains upright to facilitate the next attachment.

Thickness = Blade thickness | (*) Weight variation +/- 2% depending on equipment | Total weight = (ISO capacity in l x Density 1.8) + Bucket weight in kg

Profile 71P1



Profile 71P1
2 x 45° - 2 Cylinders

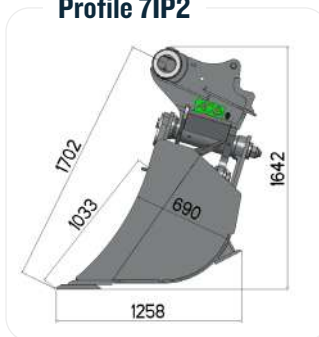
PART NUMBER	WIDTH (mm)	ISO CAPACITY (l)	BUCKET WEIGHT (kg)*	TOTAL WEIGHT (kg)	PRICE EXCL. VAT (€)	ITEM CODE
71P1-2200	2200	1158	1412	3496	-	5132011
71P1-2400	2400	1270	1474	3760	-	5136306

REVERSIBLE BOLT-ON COUNTER-BLADE

Thickness 30 mm



Profile 71P2



Profile 71P2
2 x 45° - 2 Cylinders

PART NUMBER	WIDTH (mm)	ISO CAPACITY (l)	BUCKET WEIGHT (kg)*	TOTAL WEIGHT (kg)	PRICE EXCL. VAT (€)	ITEM CODE
71P2-2200	2200	1700	1933	4993	-	5128757
71P2-2400	2400	1870	2042	5408	-	71P2

REVERSIBLE BOLT-ON COUNTER-BLADE + REAR BLADE

Thickness 30 mm

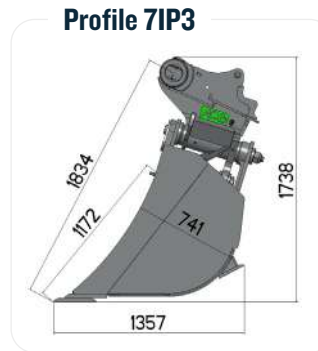


TILT DITCH CLEANING BUCKETS

Morin Original system coupler M7
for machines from 24t to 50t
Couplers available on pages 18 to 30

The TILTING BUCKET can be used for finishing work such as ditch cleaning, embanking, levelling and much more. The tilting version is stable on the ground and remains upright to facilitate the next attachment.

Thickness = Blade thickness | (*) Weight variation +/- 2% depending on equipment | Total weight = (ISO capacity in l x Density 1.8) + Bucket weight in kg



Profile 7IP3 2 x 45° - 2 Cylinders

REVERSIBLE BOLT-ON COUNTER-BLADE + REAR BLADE

Thickness 25 mm



PART NUMBER	WIDTH (mm)	ISO CAPACITY (l)	BUCKET WEIGHT (kg)*	TOTAL WEIGHT (kg)	PRICE EXCL. VAT (€)	ITEM CODE
7IP3-2200	2200	2100	2013	5793	-	7IP3
7IP3-2500	2500	2396	5340	9652	-	7IP3

STANDARD TOOLS

Morin Original system coupler M7 for machines from 24t to 50t
Couplers available on pages 18 to 30

As a bucket isn't always enough, a range of TOOLS is available to meet all your needs. For more information, please refer to the attached product specification sheets or contact us.

(*) Weight variation of +/- 2% depending on equipment

Universal joint

Tool for articulating, along two axes, a gripper, a grapple, an auger, etc.



PART NUMBER	WEIGHT (kg)*	PRICE EXCL. VAT (€)
UNIVERSAL JOINT-M7	Depending on equipment	-

Ripper tooth

Ripper tooth for work on rocky terrain

- DDM-M7: R = 1,734 100 mm - 1 tooth ESCO U55C
- R = 1,764 100 mm - 1 tooth ESCO U60



PART NUMBER	WEIGHT (kg)*	PRICE EXCL. VAT (€)
DDM-M7	818	-
DDM-M7+	864	-

Bolt-on adapter

Tool for bolting on hydraulic equipment



PART NUMBER	WEIGHT (kg)*	PRICE EXCL. VAT (€)
BOLT-ON ADAPTER-M7	Depending on equipment	-

Pallet forks

There are two versions of our pallet forks:

- A simple version, for attachment using a quick coupler only.
- A version with an arrangement on the front blade, allowing the pallet forks to be attached to the blade, for use on sites only.

Depending on the profile of the excavator blade, we are obliged to:

- Place the pallet forks on the blade using simple hooks: the pallet forks can then be shifted sideways depending on site requirements.
- Fix the pallet forks to the blade with an arrangement to be welded onto the blade: the pallet forks remain in a fixed position.

To order your pallet forks, please specify which version you require. For the second version, the decision to weld or place depends on the blade profile of your machine. 3,000 kg forks



PART NUMBER	WEIGHT (kg)*	PRICE EXCL. VAT (€)
LP-M7-SIMPLE	705	-
LP-M7-SUR LAME	705	-

SPECIAL TOOLS

Morin Original system coupler M7 for machines from 24t to 50t
Couplers available on pages 18 to 30

Non-exhaustive list. Please contact us for more information.

Some situations require special dimensions or configurations. That's why ACB+ is at your disposal for any specific requests. Our SPECIAL TOOLS are made to measure. So you have a choice of teeth, pitch, width, etc. Here are just a few examples.

(*) Weight variation of +/- 2% depending on equipment

Grid backhoe

Tool for sieving rubble and pebbles.
Grid backhoe 1,600 mm Range 71 P1N
5 teeth ESCO U40S - Pitch 150 x 150 mm



PART NUMBER	WEIGHT (kg)*	PRICE EXCL. VAT (€)
CLAIRE-VOIE-M7	1662	-

Grid backhoe 1,600 mm Range 71 P1N
5 teeth ESCO U40S - Pitch 150 mm



PART NUMBER	WEIGHT (kg)*	PRICE EXCL. VAT (€)
CLAIRE-VOIE-M7	1387	-

Rock handling bucket

Bucket for riprap work
Rock handling bucket 1,300 mm Range 71 P1E
4 teeth ESCO U45C - Shields + Inner reinforcements



PART NUMBER	WEIGHT (kg)*	PRICE EXCL. VAT (€)
5130693	1964	-

Rock handling bucket 800 mm Range 71 P1N
3 teeth ESCO U45C - SKIDS - PLATES



PART NUMBER	WEIGHT (kg)*	PRICE EXCL. VAT (€)
ROCK HANDLING-M7	1188	-

SPECIAL TOOLS

Morin Original system coupler M7
for machines from 24t to 50t
Couplers available on pages 18 to 30

(*) Weight variation of +/- 2% depending on equipment

Ripper backhoe

Tool for working on rocky terrain
Ripper backhoe 850 mm 0.68 m³ Range 72
3 teeth FEURST FK11PR



PART NUMBER	WEIGHT (kg)*	PRICE EXCL. VAT (€)
DEROCT-M7	1841	-

Rock handling bucket 800 mm Range 71 P1N
3 teeth ESCO U45C - SKIDS - PLATES



PART NUMBER	WEIGHT (kg)*	PRICE EXCL. VAT (€)
DEROCT-M7	1169	-